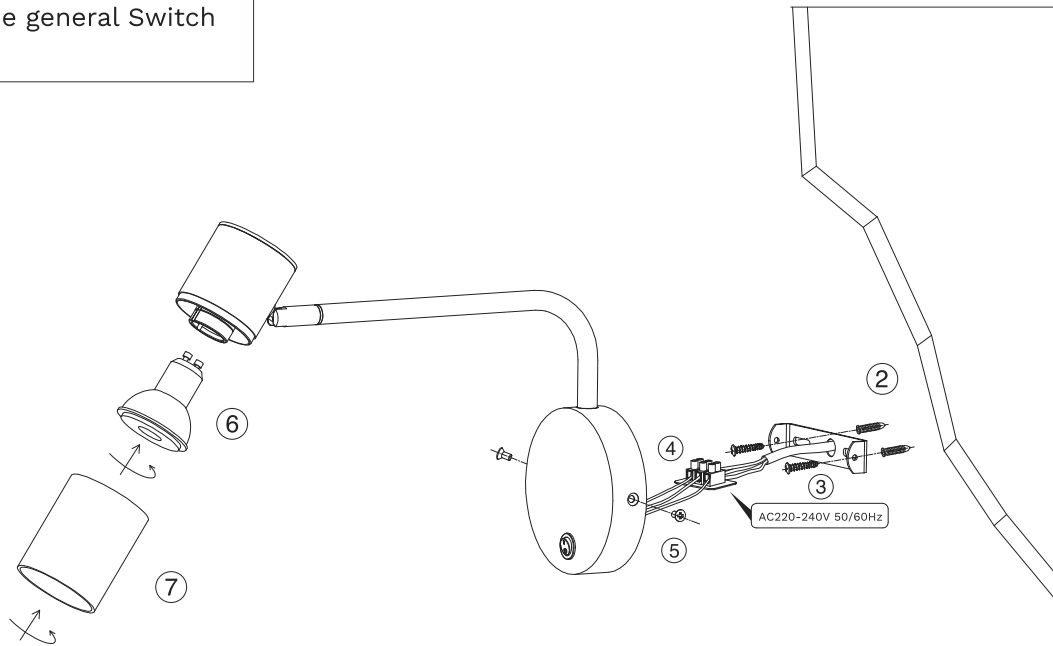


1. Turn off the general Switch



2. Allign, Mark & Drill holes  
& Apply plastic anchors

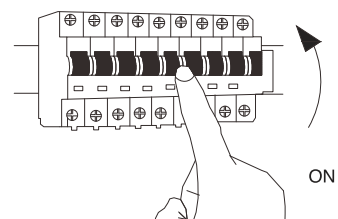
3. Apply screws to make base stable

4. Connect wires

5. Apply side screws

6. Insert the bulb by rotate

7. Connect the spot cup by tightening it up



8. Turn on the general Switch