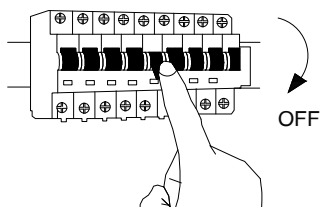


# NOVA LUCE

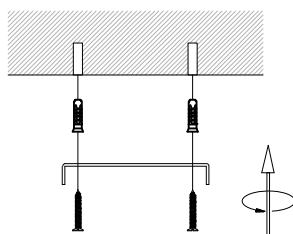
9035951

1



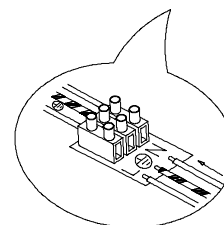
Turn off the general switch

2



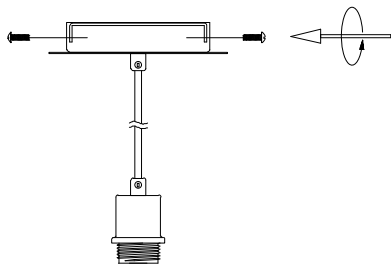
Mark & drill holes  
Apply plastic anchors & tie up screws

3



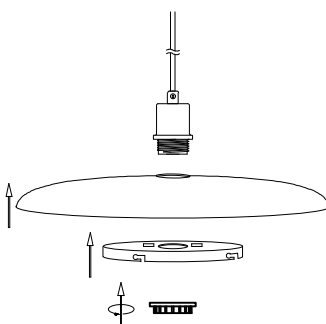
Connect wires

4



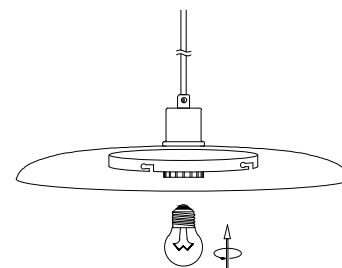
Tie up side screws to fix it into place

5



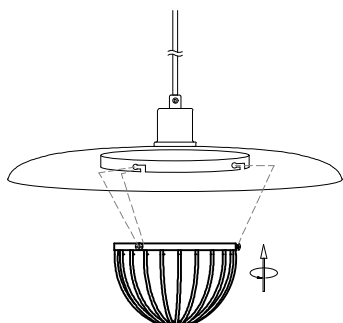
Assemble parts together  
by tying them up

6

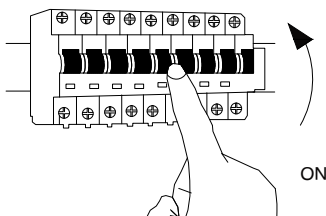


Insert the bulb by rotate

7



Tie up the cap into place



Turn on the general switch

