

NOVA LUCE

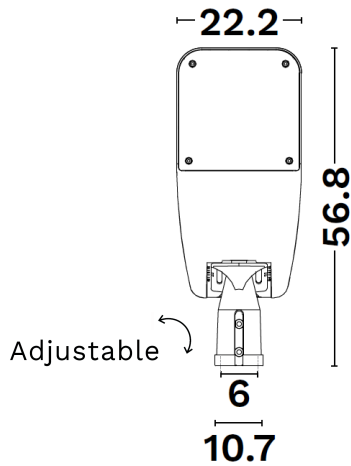
PRODUCT DATASHEET

Version: 001

PRODUCT PHOTOGRAPH



TECHNICAL DRAWING



COMPATIBLE WITH

- On/Off Driver: Included
- Triac Driver: -
- Dali Driver: -

GENERAL INFORMATION

Product Code	9090750
Product Category	Streetlight
Product Family	Tano
Mounting Location	Column
Application Environment	Outdoor

DIMENSION & WEIGHT

LxWxH (cm)	L:56.8 W:22.2 H:10.7
Cut out (cm)	-
Weight (Kgr)	-

MATERIAL & COLOR

Product Color	Black
Body Material	Aluminium
Specifications	ENEC, 10KV SURGE PROTECTION

APPLICATION & MOUNTING

Ambient Working Temp.	(-25) ~ (+45) oC
Type of Protection	IP66
Protection Class IK	IK08
Dimmable	No
Type of Dimming (Optional)	N/A
Mounting type	N/A
Mounting Depth (cm)	N/A
Led Module Replaceable	No
Light Source	Led

NOVA LUCE S.A

Schimatari Viotias
32009, Greece

+30 22620 58 121
+30 22620 56 743

info@novaluce.com
www.novaluce.com



NOVA LUCE

PRODUCT DATASHEET

Version: 001

ELECTRICAL DATA

Power (Nominal)	60W
Input voltage (Nominal)	220-240Vac
Mains Frequency	50/60Hz
Output voltage	N/A
Output Current	N/A
Power Factor	N/A
Efficiency	N/A
SVM	0.4
Pst	0.9
Class	I

PHOTOMETRICAL DATA

Luminous Flux	8400lm
Luminous Efficacy (Complete Product)	140lm/W
Luminous Efficacy (LED Source)	-
Color Temperature	4000K
Light Color (Designation)	Neutral White
CRI	70
SDCM	<3
Beam Angle	Type II
UGR	-

LIFESPAN

Lifetime	50000
----------	--------------

CERTIFICATES

Certificates	CE, UCKA
--------------	-----------------

WARRANTY

Warranty	5 years
----------	----------------

