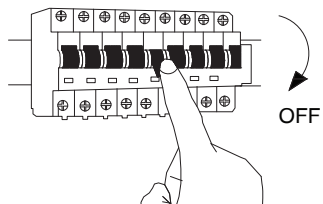
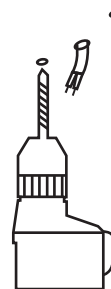


NOVA LUCE

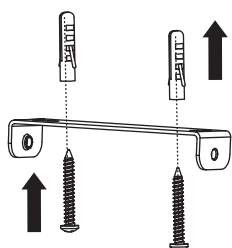
998091, 998092



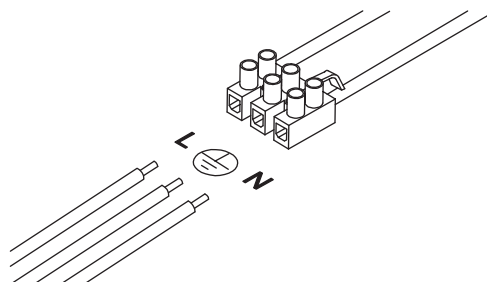
1. Turn off the general switch



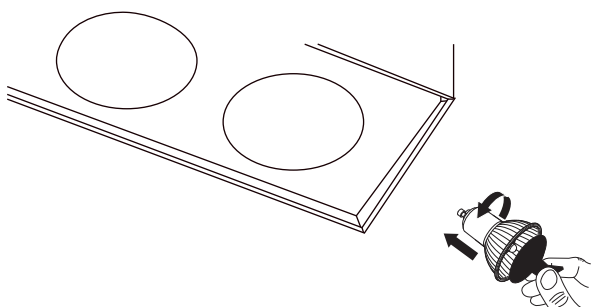
2. Mark & drill holes



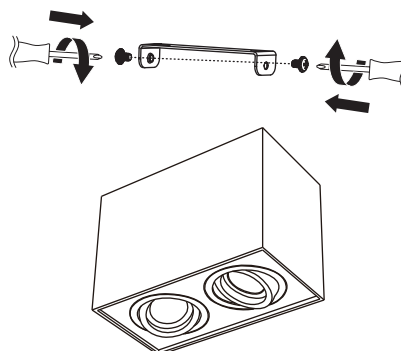
3. Apply screws to make the base stable



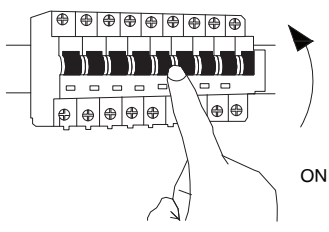
4. Connect the wires



5. Apply the bulbs by rotating



6. Apply the product by tying up the side screws



7. Turn on the general switch

