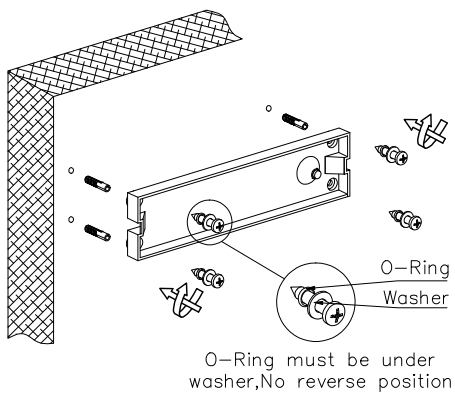
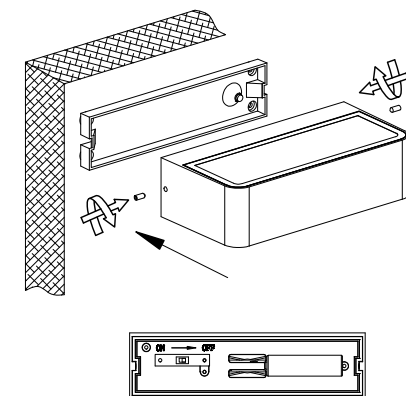


1. Untie side crews & remove lid



2. Tie up screws to make it stable



3. Apply the lid and tie up side screws to make it stable

