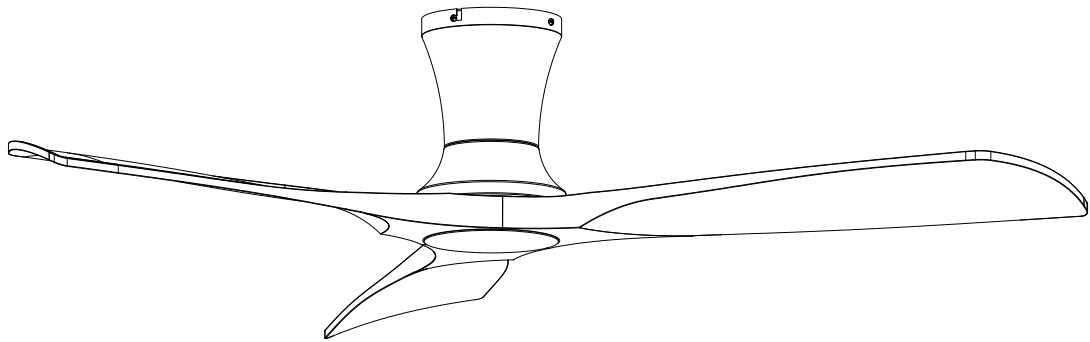


NOVA LUCE

9952331



INSTALLATION GUIDE

Cautions and Warnings


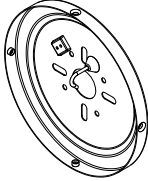

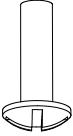

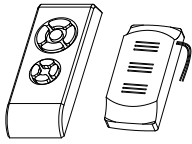
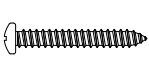
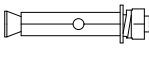
- READ THIS ENTIRE MANUAL CAREFULLY BEFORE BEGINNING INSTALLATION. SAVE THESE INSTRUCTIONS.
- Use only xxxxxx replacement parts.
- To reduce the risk of personal injury, attach the fan directly to the support structure of the building according to these instructions, and use only the hardware supplied.
- To avoid possible electrical shock, before installing your fan, disconnect the power by turning off the circuit breakers to the outlet box and associated wall switch location. If you cannot lock the circuit breakers in the off position, securely fasten a prominent warning device, such as a tag, to the service panel.
- All wiring must be in accordance with national and local electrical codes and ANSI/NFPA 70. If you are unfamiliar with wiring, use a qualified electrician.
- To reduce the risk of personal injury, do not bend the blade attachment system when installing, balancing, or cleaning the fan. Never insert foreign objects between rotating fan blades.
- To reduce the risk of fire, electrical shock, or motor damage, do not use a solid-state speed control with this fan. Use only xxxxxx speed controls

NOTE: The important safety precautions and instructions appearing in the manual are not meant to cover all possible conditions and situations that may occur. It must be understood that common sense and caution are necessary factors in the installation and operation of this fan.

Parts Inventory

Carefully open the packaging. Remove items from Styrofoam inserts. Remove motor housing and place on carpet or Styrofoam to avoid damage to finish. Check against parts inventory that all parts have been included.

- Downrod and hanging ball

	 x1	 x1
Motor	Hanger bracket	Decoration
 x4	 x3	 x1
screw	Blade	Remote control
<div style="border: 1px solid black; padding: 5px; display: inline-block;">  x4  x2 </div>		
Spiral package		

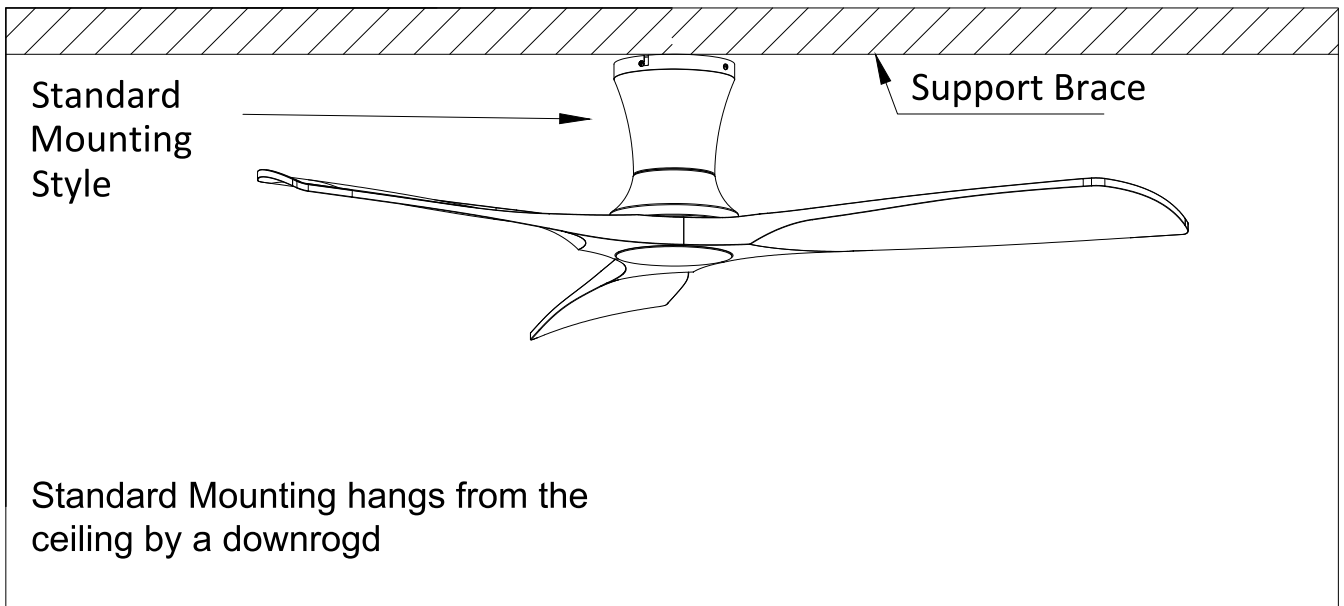
Preparing the Fan Site

Downrod Installation

This fan can be mounted with a downrod on a normal or vaulted ceiling. The hanging length can be extended by a longer downrod.

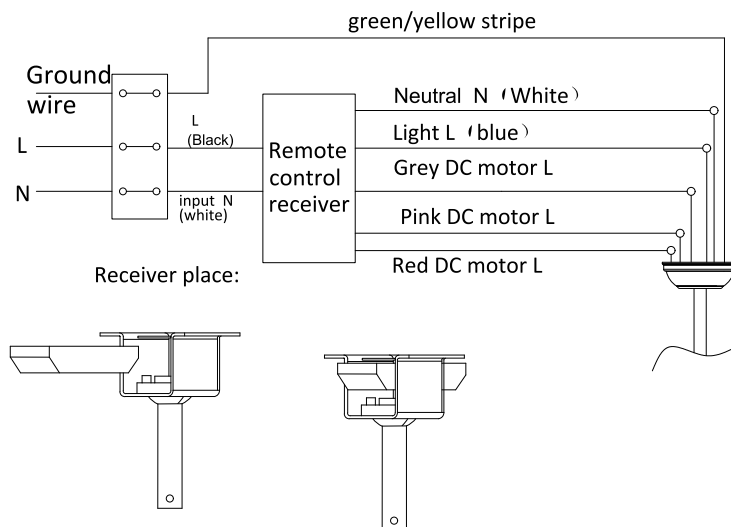
Installation requires these tools:

Screwdriver, flat-head screwdriver, adjustable pliers or wrench, stepladder, wire cutters, and rated electrical tape.



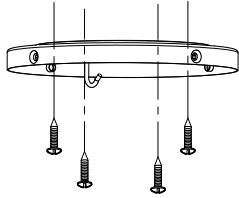
way to install

DC:

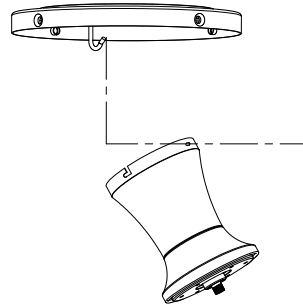


Remote control connection

way to install



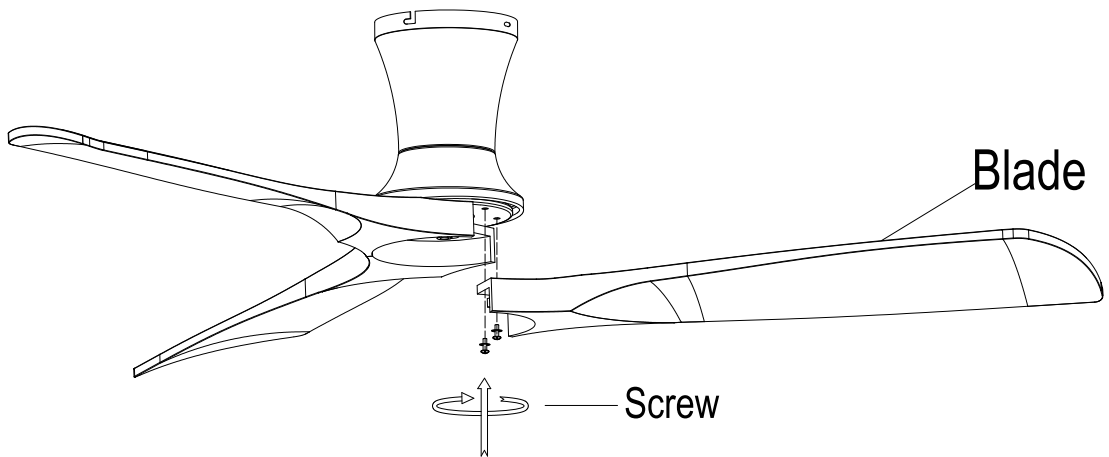
1



2

Suspension Hardware

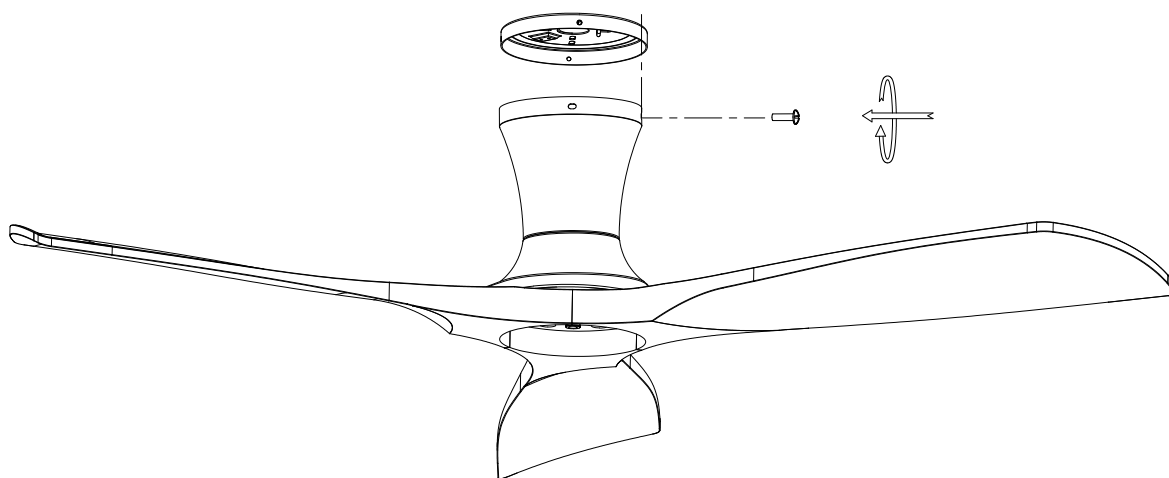
1



Blade Assembly

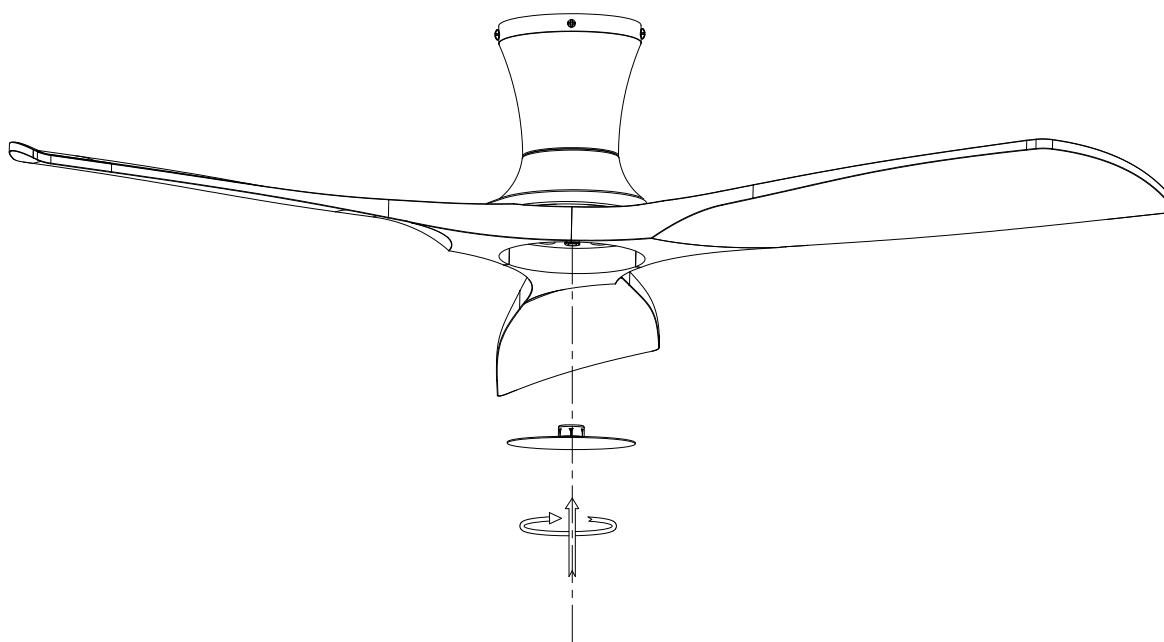
way to install

2



Mounting of motor

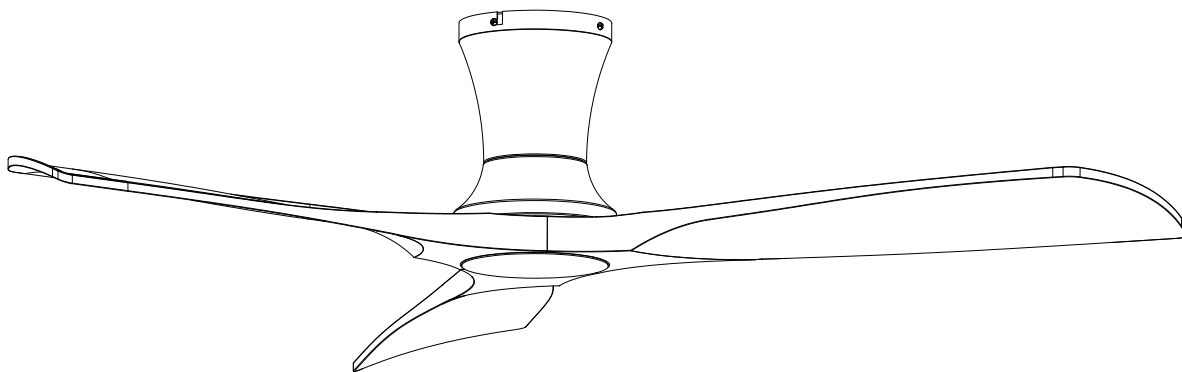
3



Decorative cover mounting

way to install

5



ok

Mounting bolt