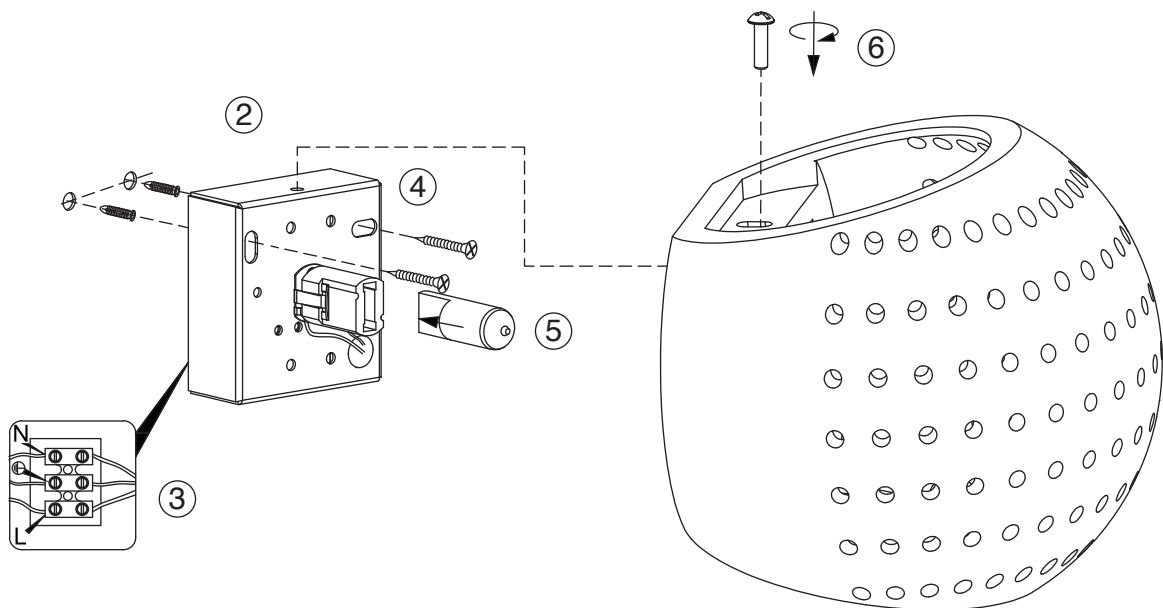
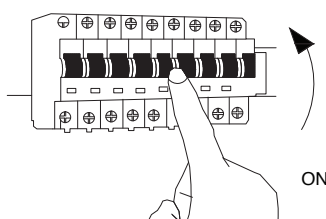


1. Turn off the general Switch



2. Mark & Drill holes
Apply plastic anchors & tying up the screws
3. Connect wires
4. Apply screws
5. Connect driver by inserting it
6. Put luminaire into place
& tie up the screw to make it stable



7. Turn on the General Switch