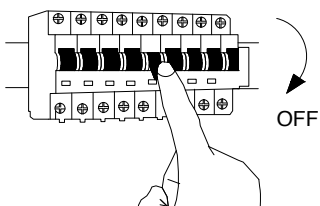
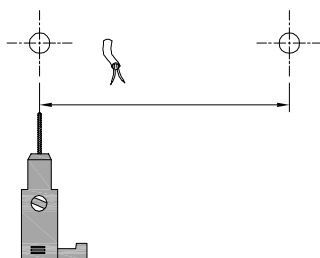


1



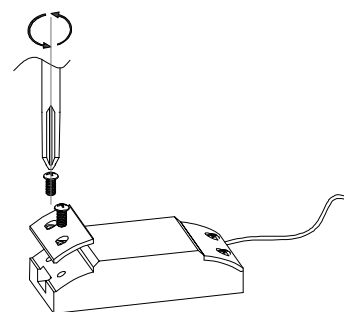
Turn off the general switch

2



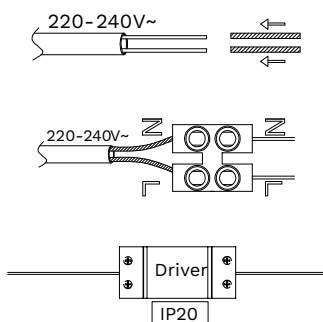
Align Mark & Drill holes

3



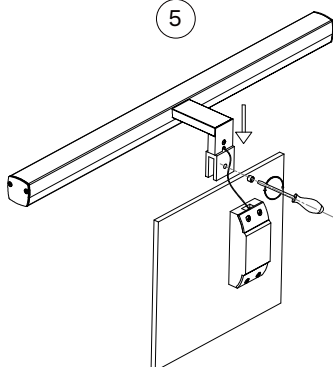
Untie screws to remove the cap

4



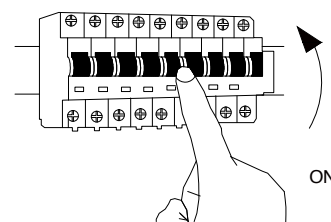
Connect wires

5



Apply screws to fix it in place

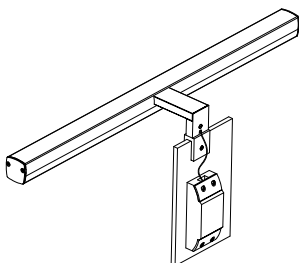
6



Turn on the general switch

7

ART NR.:787009



Turn on the light

