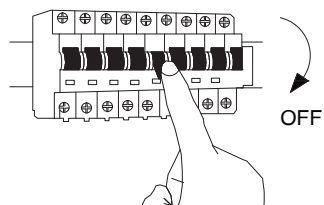
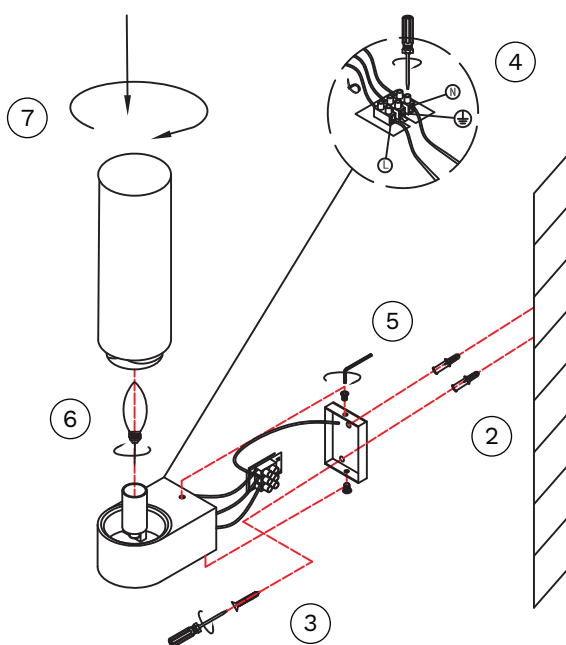


①

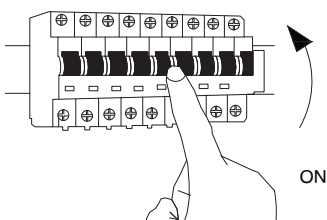


Turn off the general switch



2. Drill holes & apply plastic anchors
3. Apply screws
4. Connect the wires
5. Apply side screws
6. Place the cap into place
7. Tie up the ring into place
8. Insert the bulb by rotate

⑧



Turn on the general switch

