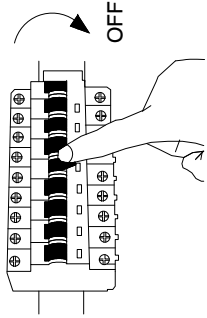


# NOVA LUCE

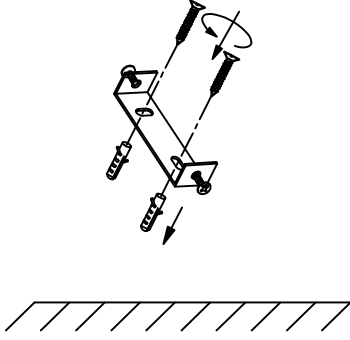
9081811/ 9081812/ 9081813

1



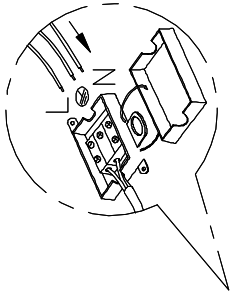
Turn off the general switch

2



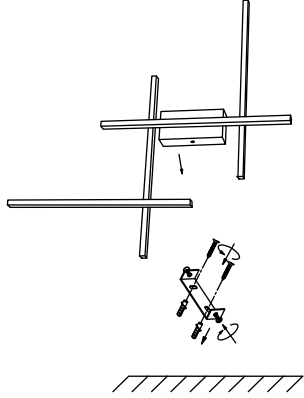
Align, mark & drill holes  
Tie up the screws

3



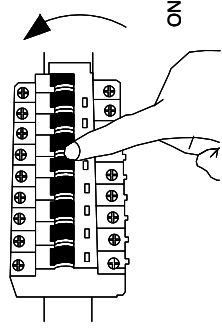
Connect wires

4



Put it in place  
& tie up side screws  
to make it stable

5



Turn on the general switch

6

