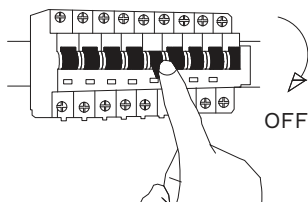


NOVA LUCE

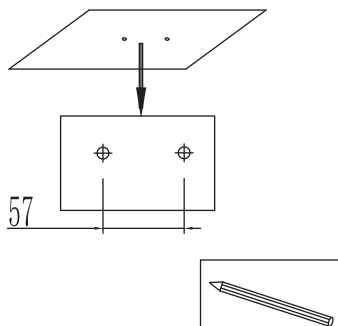
9521001

1



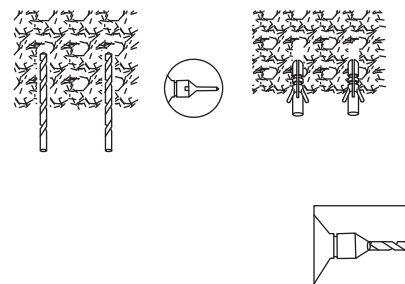
Turn off the general switch

2



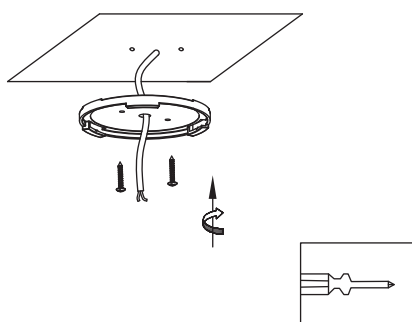
Mark the areas

3



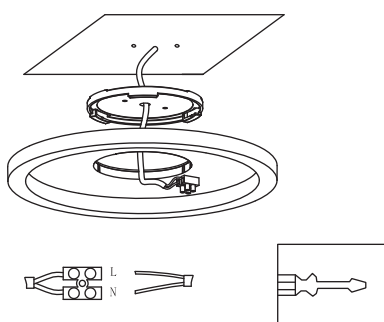
Drill holes & apply plastic anchors

4



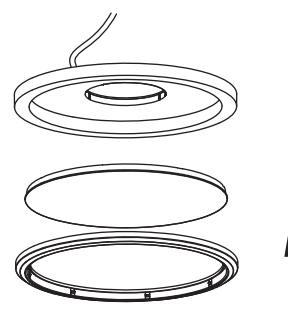
Tie up the screws to make it stable

5



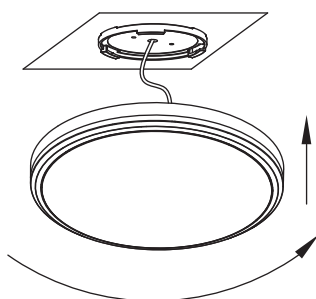
Connect the wires

6



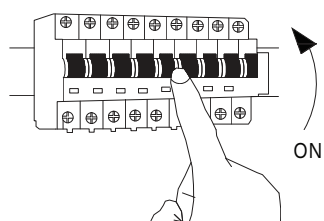
Assemble parts together

7



Tie up the luminaire into place

8



Turn on the general switch

