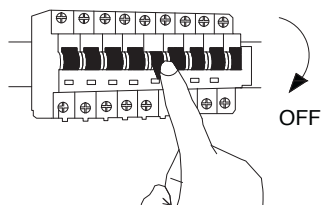
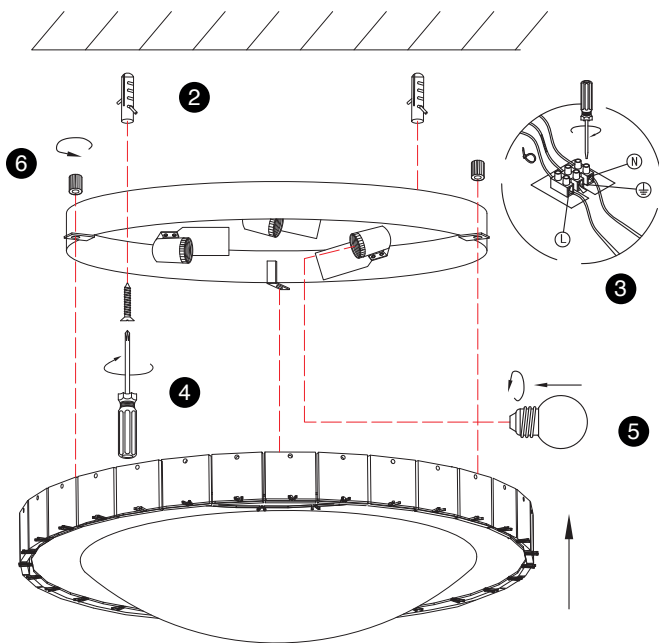


①

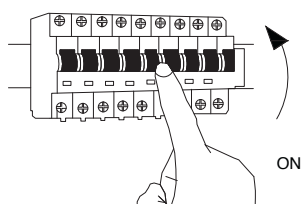


Turn off the general switch



2. Drill holes & apply plastic anchors
3. Connect the wires
4. Tie up screws to make it stable
5. Apply the bulb
6. Apply the screws to make it stable with the glass

⑦



Turn on the general switch

