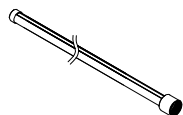


Installation with Spike

Parts included:

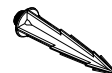
A



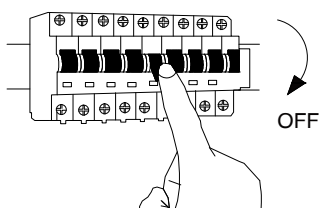
B



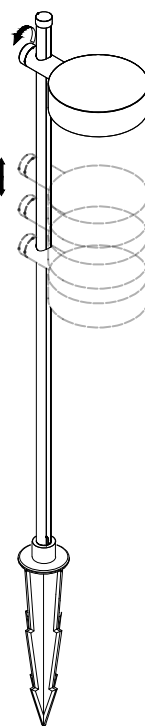
C



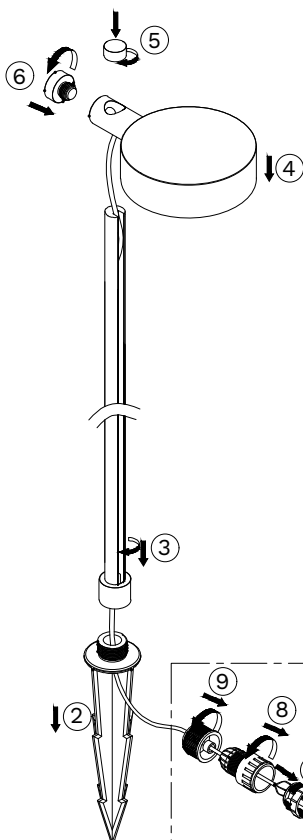
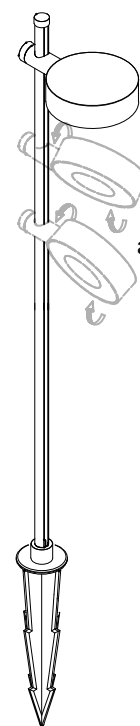
1



adjustable
hight

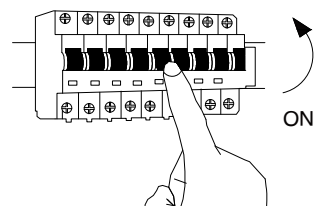


adjustable
angle



2. Insert the spike in place
3. Fix the tube on base by tying it up
4. Place the light on place
5. 6. Tie up parts together
7. Connect wires
8. 9. Tie up parts together

10



Turn on the General Switch

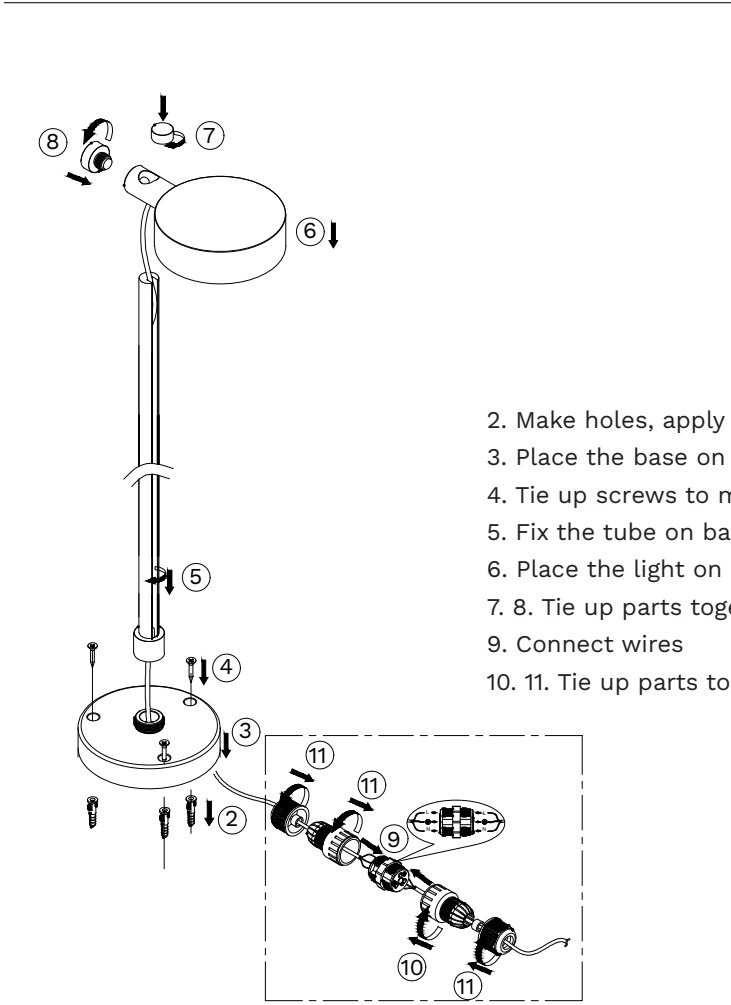
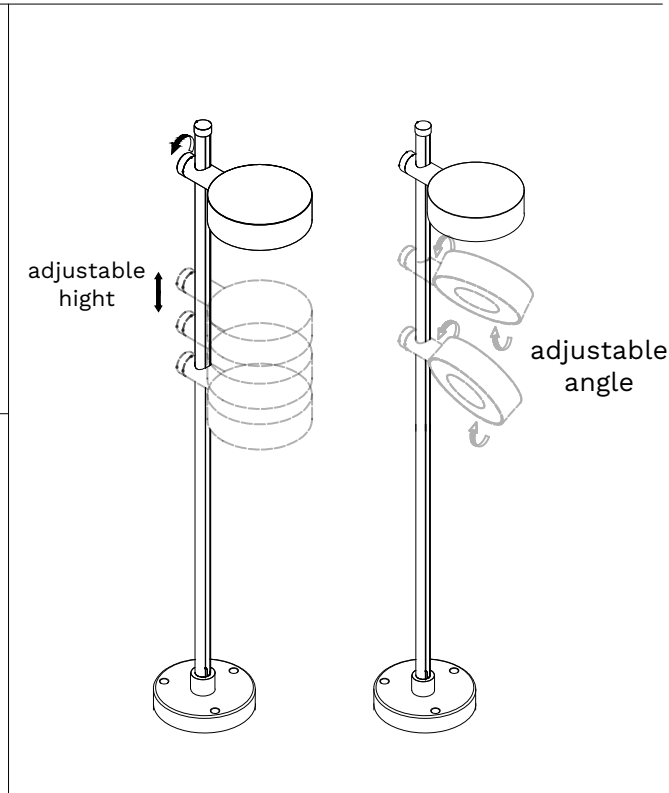
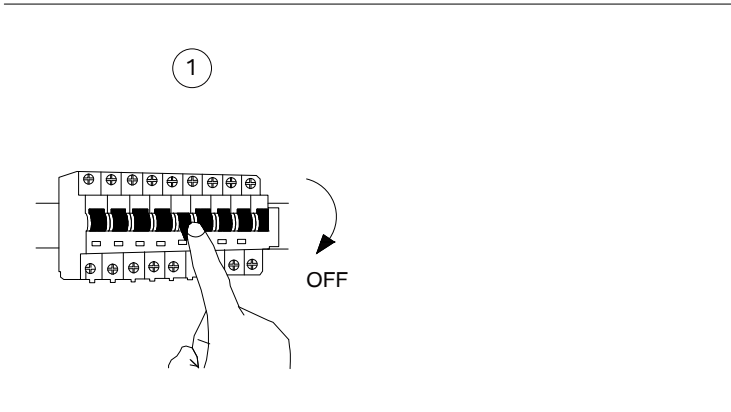
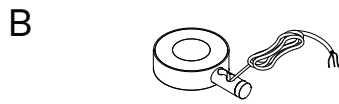
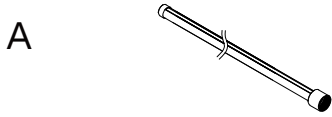


NOVA LUCE

9923400

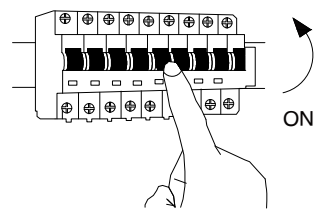
Installation for Recessed

Parts included:



2. Make holes, apply plastic anchors
3. Place the base on place
4. Tie up screws to make it stable
5. Fix the tube on base by tying it up
6. Place the light on place
7. 8. Tie up parts together
9. Connect wires
10. 11. Tie up parts together

12



Turn on the General Switch

