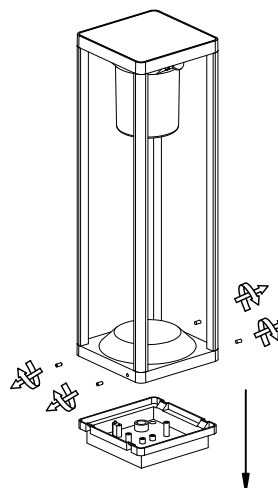
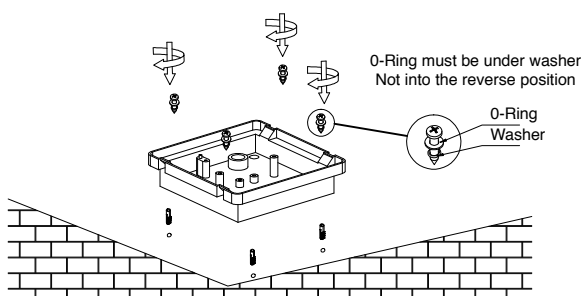


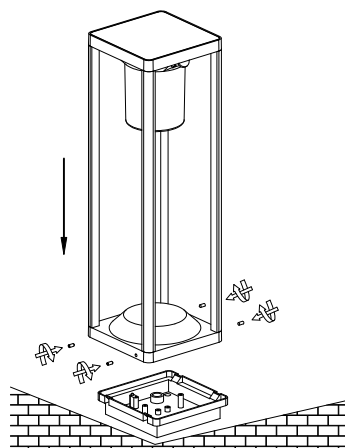
1. Turn off the general switch



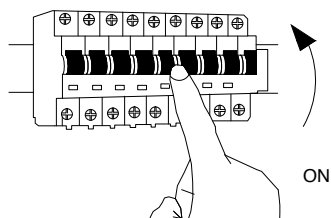
2. Untie side screws to break the parts apart



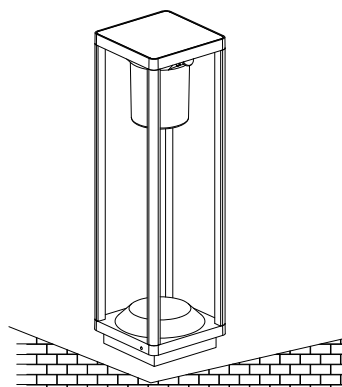
3. Apply screws to make the base stable



4. Place the lamp into the base & make it stable by tidying the side screws



5. Turn on the general switch



The working time of the 100% full battery is 5-7 hours.
 If on second mode(no PIR sensor), the working time will be around 10 hours.
 The charging time is around 8 hours.