

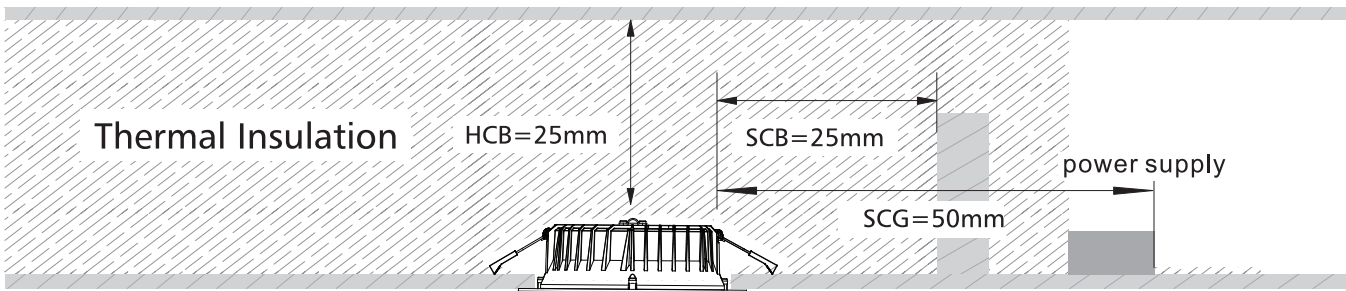
Safety Instructions

To ensure correct function and safety, please read and follow all instructions carefully before using the product:

1. Turn off power supply before installation or before doing any maintenance work.
2. Do not install any luminaire near the heat source.
3. Do not exceed the nominal supply voltage or amperage ratings.
4. All wiring and installation of the light fitting must adhere to local and national wiring rules.
5. Take care not to pull any electrical wires during unpacking as this may damage the connection.
6. Lay out all the components on a smooth surface and make sure there are no components missing before assembling.
7. To avoid injury or damage to the fitting, please ensure that power leads and screws are secure before connecting the power.
8. Please keep instructions for future reference.
9. Please refer to IP(Ingress Protection) rating of this luminaire when deciding the location of installation.

Installation Instruction

Fig 1: Installation Spacing



RISK OF FIRE – Required clearance from structural members and building elements
 SCB=25mm HCB=25mm MIC=0mm SCI=0mm

HCB: Height clearance to building element
 MIC: Minimum insulation clearance
 SCI : Side clearance to insulation
 SCB: Side clearance to building element
 SCG(Side clearance to auxiliary equipment (control gear)):50mm

Ceiling cutout table

Downlight Dia (inch)	4	5	6	8
Ceiling Cutout (mm)	120-130	140-150	160-170	200-210

IP rating table: Before installation, please check the IP label on the luminaire to choose the right place to install.

IP40	Indoor use only, do not use in wet or damp place.
IP44	Suitable for indoor areas including bathrooms and covered/sheltered areas such as porches.

Dimmer selection table: Before installation, please check the information of driver as below.

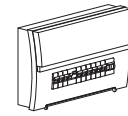
Non-dim	Can not be used with any dimmer.
Triac dim	Compliable with recommended TRIAC dimmers, dimming range 8-100%.

Part 1

Installation Procedure

WARNING ⚡

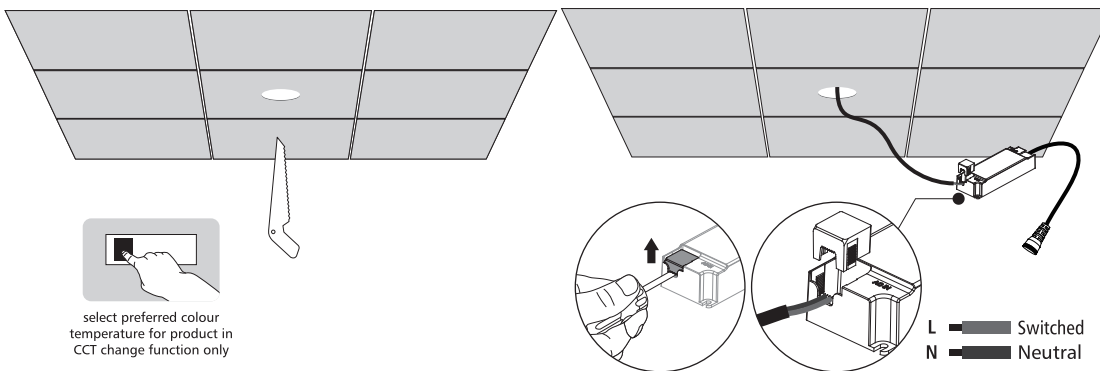
1. Switch off before installation.
2. Switch on only after complete installation and examination of the circuit.
3. Professional electrician for installation and maintenance only.



**Turn Off
Power Supply**

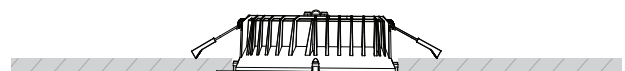
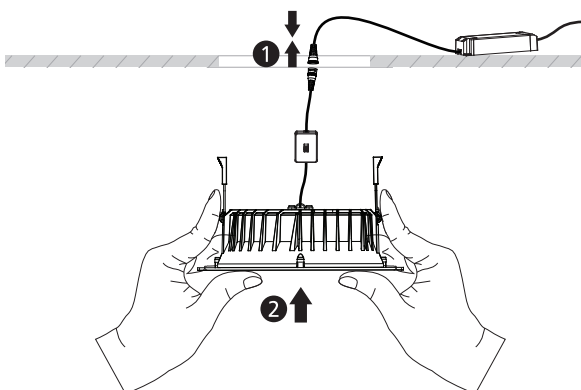


Downlight with external driver



1. Create CutOut

2. Adjust the tightness of the screws to help you out in place the clips



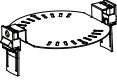


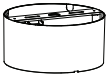
COMPLETE

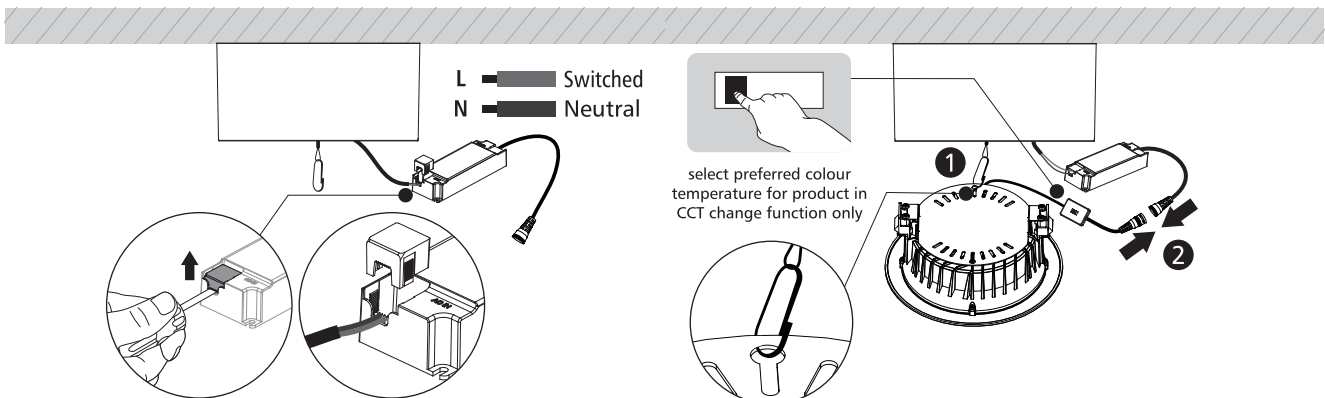
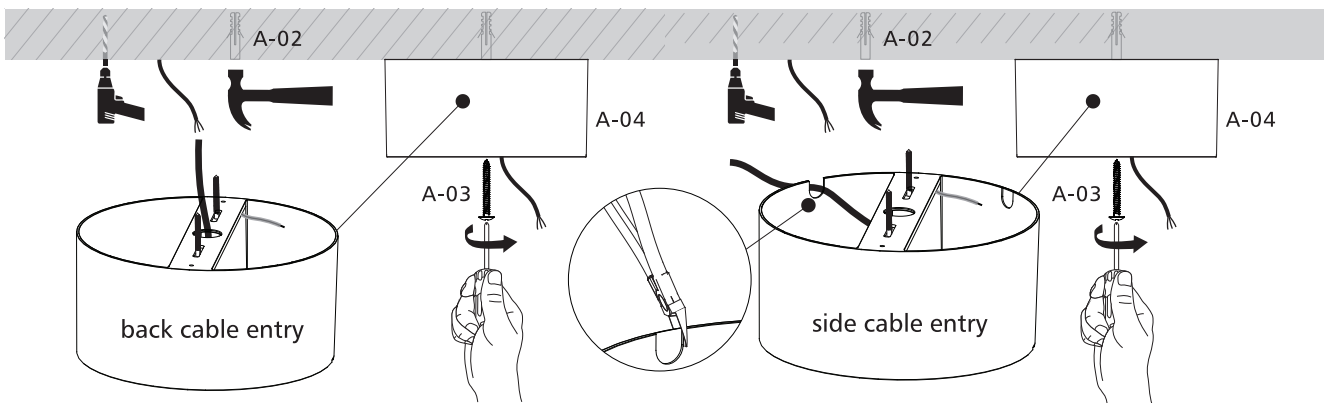
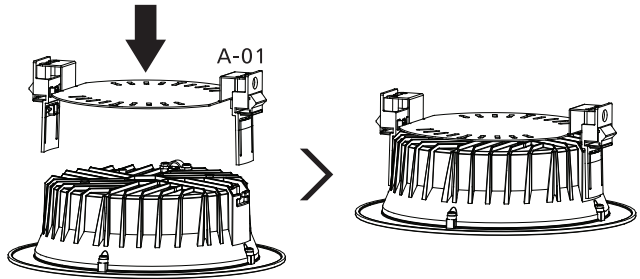
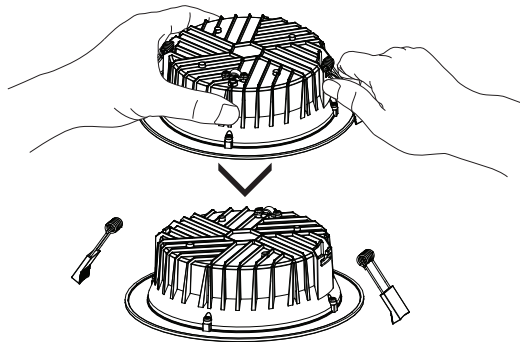
3. Connect wires & insert the light into place

NOVA LUCE

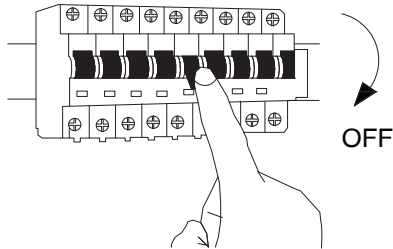
9540302

Surface Mount Installation

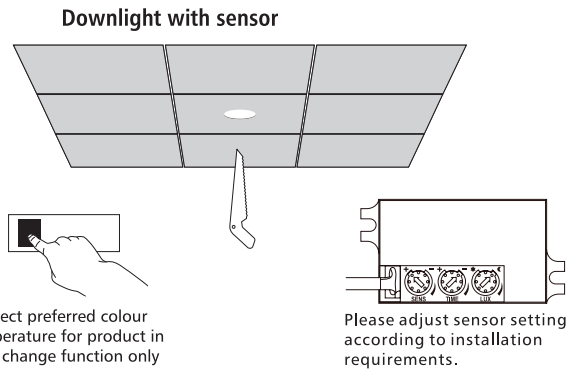
Code	A-01 	A-02 	A-03 	A-04 
Quantity	x1	x2	x2	x1



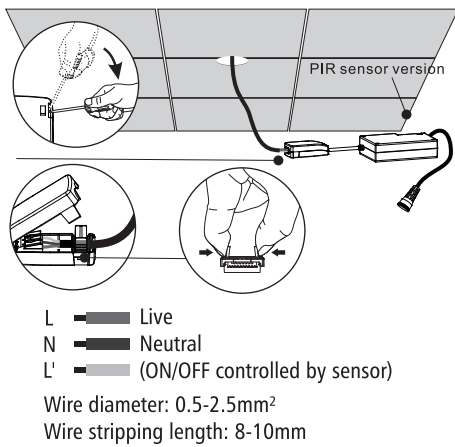
Instruction Manual



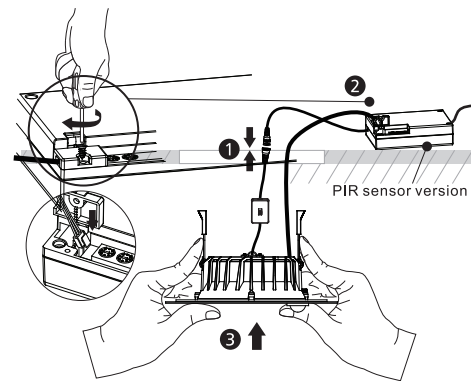
1. Turn off the general Switch



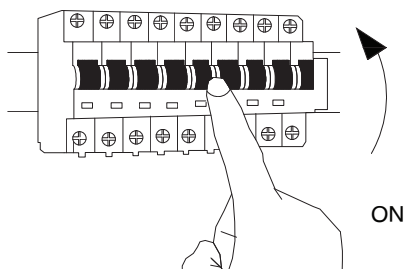
2. Create a CutOut



3. Connect wires



4. Click the wires, connect them to the sensor & put the light into place



5. Turn on the general Switch

