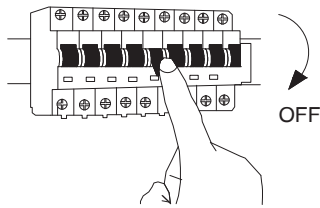


# NOVA LUCE

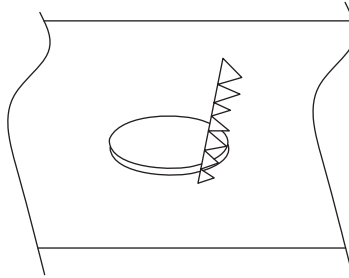
9248062

1



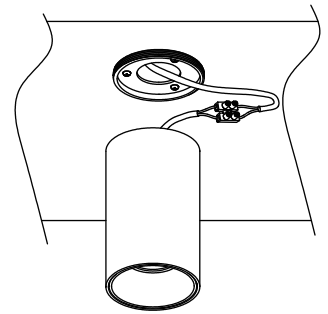
Turn off the general switch

2



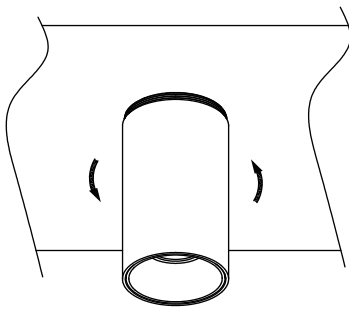
Create a CutOut

3



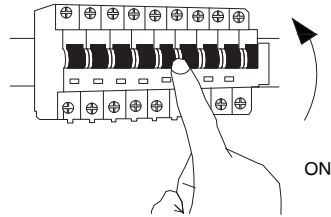
Connect wires

4



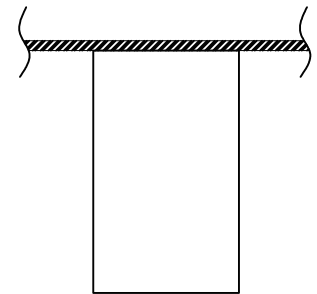
Apply mounting lamp body  
by rotating

5



Turn on the general switch

6



Turn on the light

