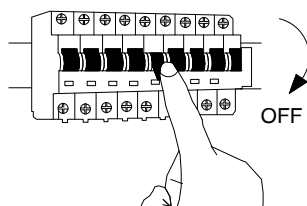
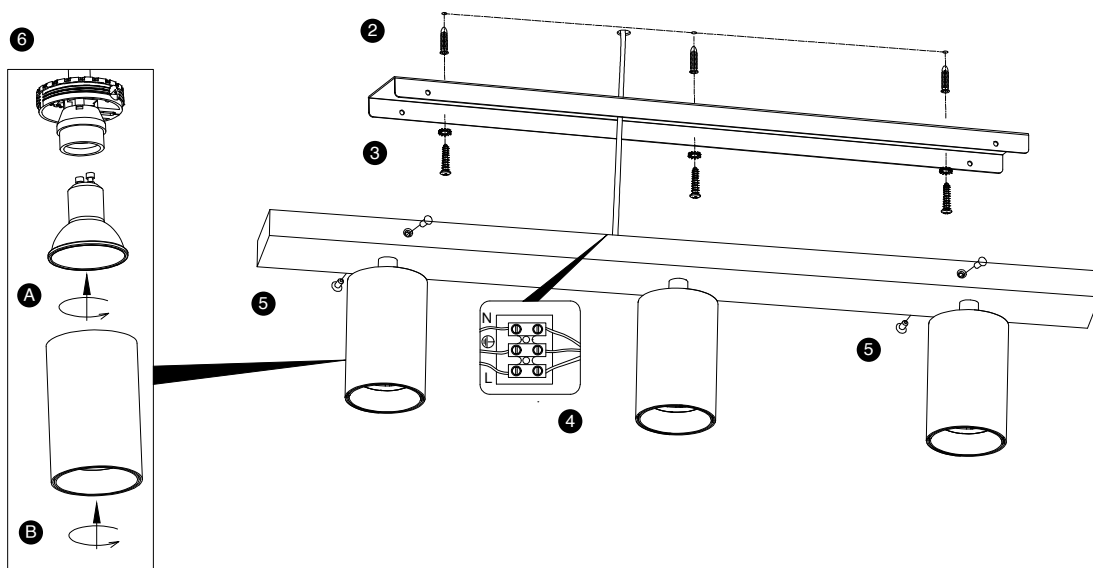


1

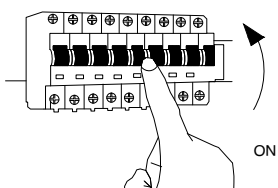


Turn off the general switch



2. Align, mark & drill holes & apply plastic anchors
3. Fix the base into place by applying screws
4. Connect wires
5. Apply side screws to make it stable
- 6./A.B.C. Insert bulb by following the steps

7



Turn on the general switch

8

