

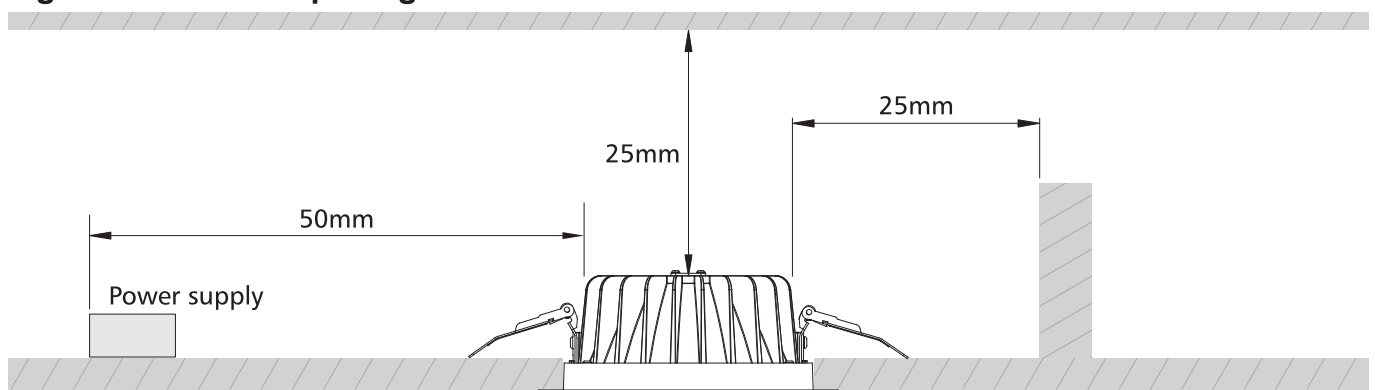
## Important Safety Instructions

Basic safety precautions should always be followed when installing, including the following:

1. Read instructions & check you have all the tools & accessories to complete the installation correctly.
2. Licensed electrician for installation only.
3. Always ensure the power is OFF and the fitting has cooled down before performing any maintenance, cleaning, changing the globe or adjustment to the fitting.
4. Do not install any luminaire near the heat source.
5. Do not exceed the nominal supply voltage or amperage ratings.
6. To avoid injury or damage to the fitting, please ensure that power leads and screws are secure before connecting the power.

## Installation Instruction

**Fig 1: Installation Spacing**



**RISK OF FIRE** – Required clearance from structural members and building elements  
 SCB=25mm HCB=25mm MIC=0mm SCI=0mm

HCB: Height clearance to building element  
 MIC: Minimum insulation clearance  
 SCI : Side clearance to insulation  
 SCB: Side clearance to building element  
 SCG(Side clearance to auxiliary equipent (control gear)):50mm

### Ceiling cutout table

Downlight Dia (inch)	3	4	6	8
Ceiling Cutout (mm)	Ø90-Ø95	Ø120-Ø130	Ø160-Ø170	Ø200-Ø210

**IP rating table:** Before installation, please check the IP label on the luminaire to choose the right place to install.

IP20/IP40	Indoor use only, do not use in wet or damp place.
IP44/IP54	Suitable for indoor areas including bathrooms and covered/sheltered areas such as porches.
IP65	Suitable for outdoor areas, not suitable for water immersion.

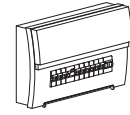
**Dimmer selection table:** Before installation, please check the information of driver as below.

Non-dim	Can not be used with any dimmer.
Triac dim	Compliable with recommended TRIAC dimmers, dimming range 8-100%.
0/1-10V	Only work with 0/1-10V dimming system, dimming range 8-100%.
DALI	Only work with DALI dimming system, dimming range 8-100%.

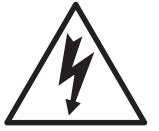
## Installation Procedure

### WARNING ⚡

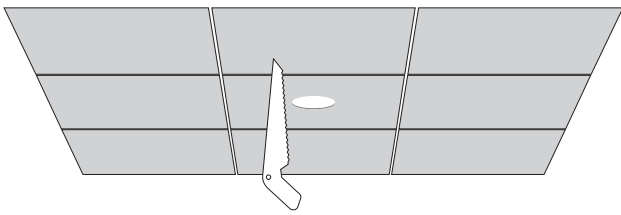
1. Switch off power supply before installation / maintenance.
2. Switch on only after complete installation and examination of the circuit.
3. Professional electrician for installation and maintenance only.



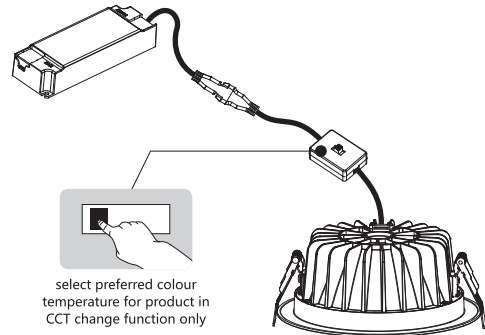
Turn Off  
Power Supply



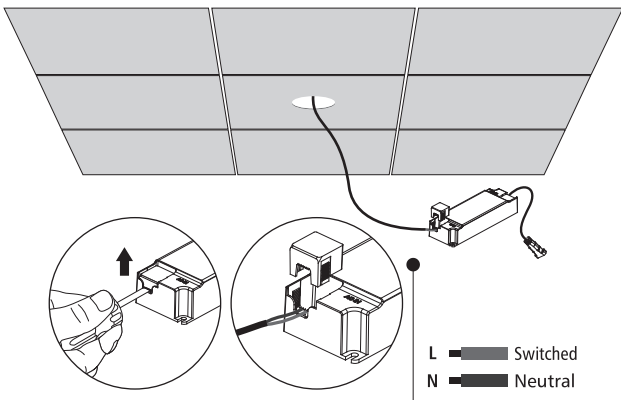
### Downlight with external driver (AB)



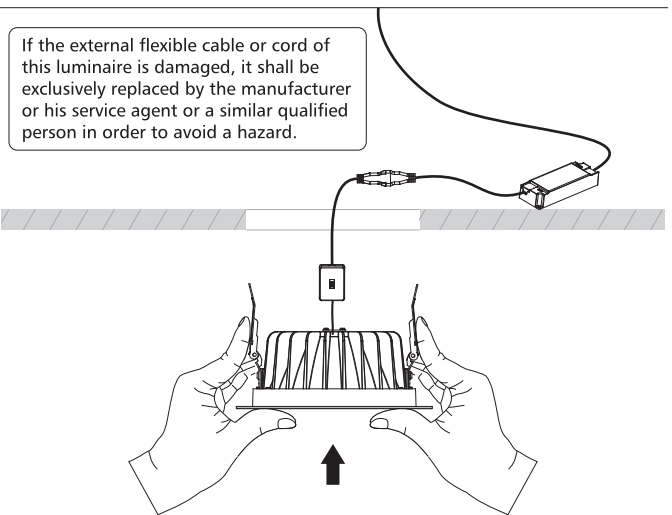
1. Create CutOut



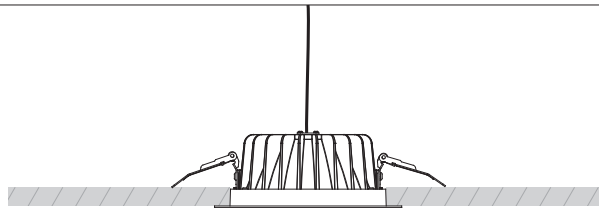
2. Adjust the colour temperature



3. Connect wires



4. Connect the wires & press the light into the ceiling



The light source contained in this luminaire shall only be replaced by the manufacturer or his service agent or a similar qualified person.



COMPLETE