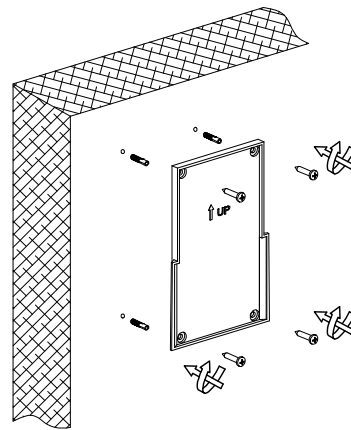
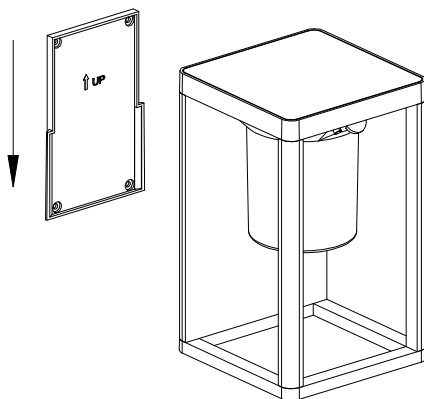


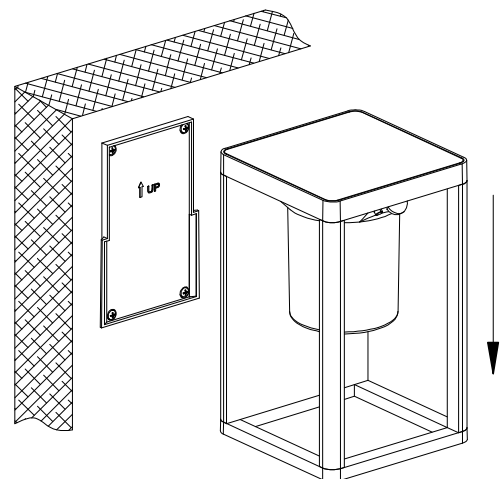
1. Turn off the general switch



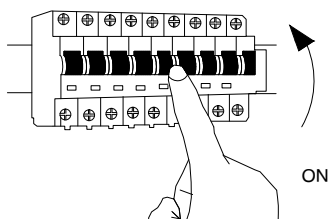
2. Apply the base by tidying up the screws



3. Prepare the lamp on the right position



4. Place the lamp into the base from the way up downwards



5. Turn on the general switch

