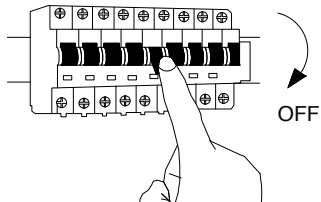


# NOVA LUCE

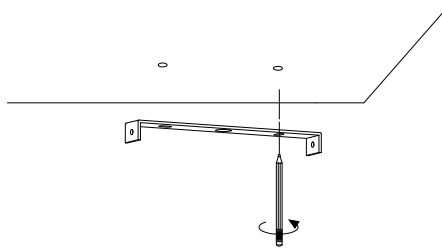
9248182,9248184  
9248186,9248188

1



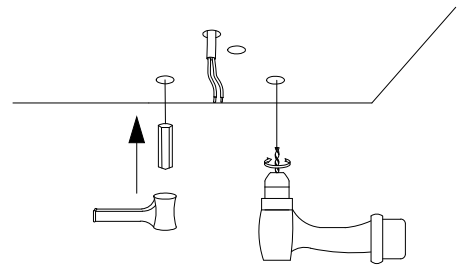
Turn off the general switch

2



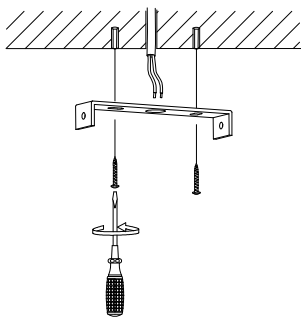
Mark where to drill holes

3



Apply plastic anchors

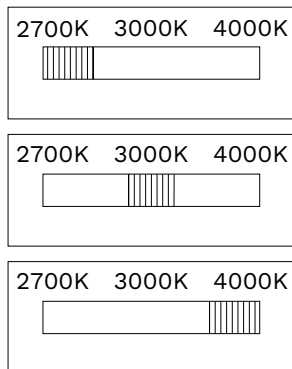
4



Apply screws

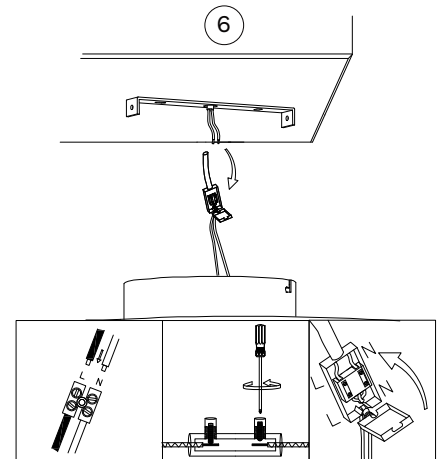
5

CCT switch in canopy



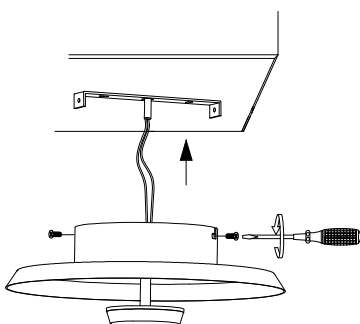
Choose the color temperature

6



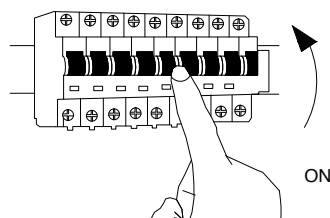
Connect the wires

7

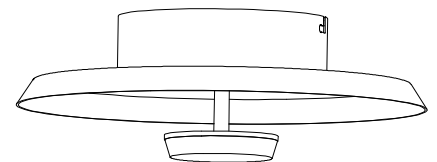


Apply side screws

8



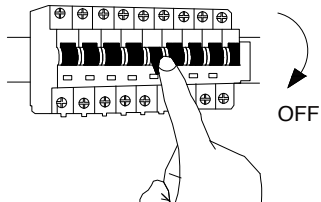
Turn on the general switch



# NOVA LUCE

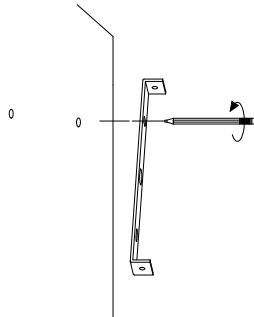
9248182,9248184  
9248186,9248188

1



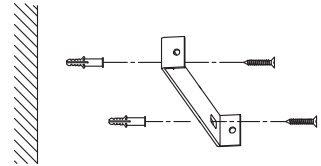
Turn off the general switch

2



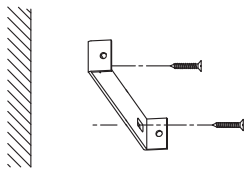
Mark where to drill holes

3



Apply plastic anchors

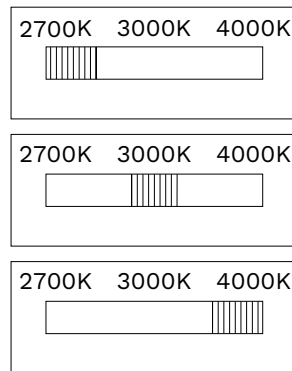
4



Apply screws

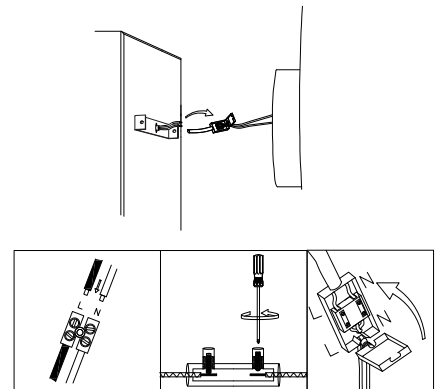
5

CCT switch in canopy



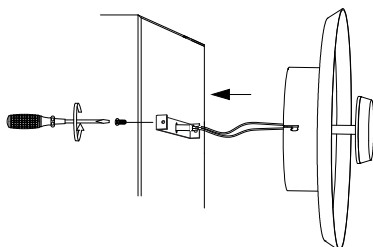
Choose the color temperature

6



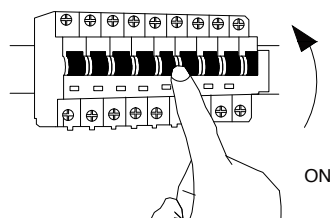
Connect the wires

7



Apply side screws

8



Turn on the general switch

