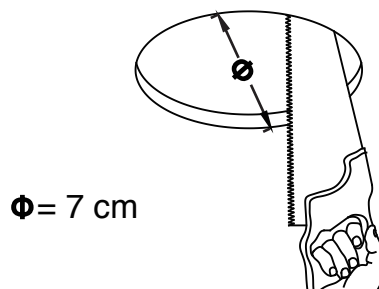
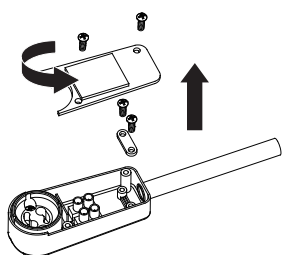


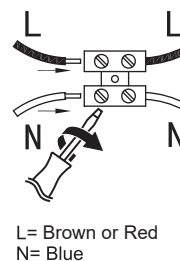
1. Turn off the general switch



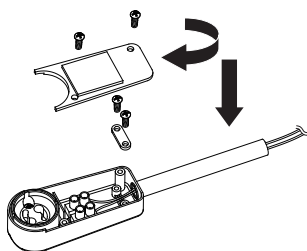
2. Cut off hole according to dimensions given



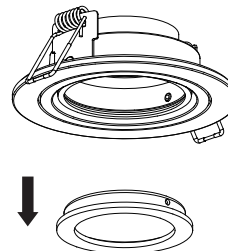
3. Remove the lid by untidying up the screws



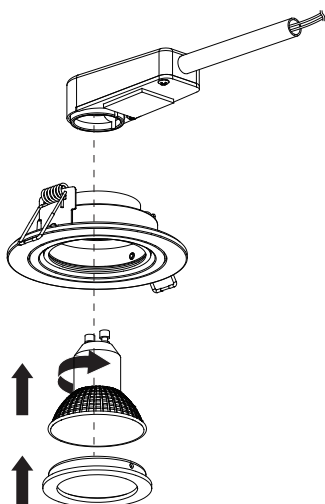
4. Connect wires



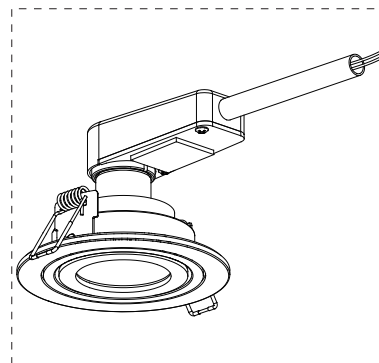
5. Apply the lid by tiding up the screws

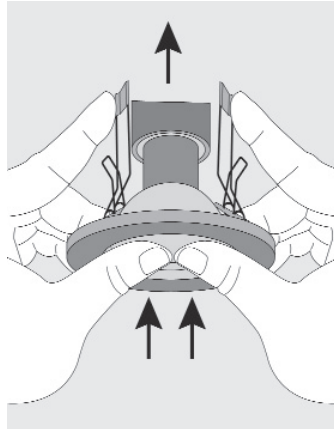


6. Remove the lid



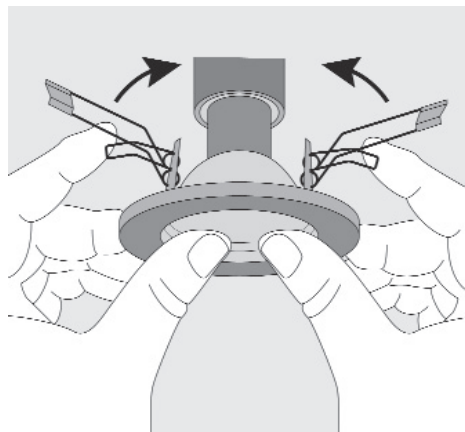
7. Insert the light & apply the lid by tiding it up





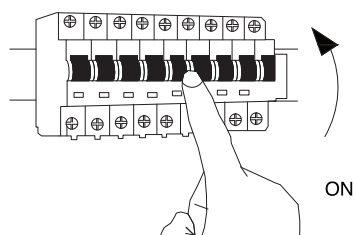
**8.** Insert the product into the wall by pressing the sides

---



**9.** Press the sides with more pressure, to make it stable

---



**10.** Turn on the general switch