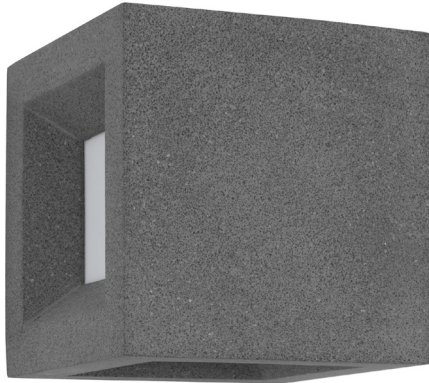


NOVA LUCE

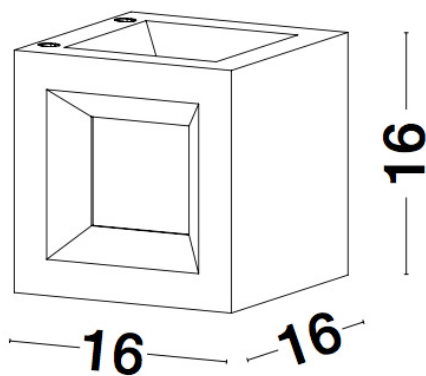
PRODUCT DATASHEET

Version: 001

PRODUCT PHOTOGRAPH



TECHNICAL DRAWING



GENERAL INFORMATION

Product Code	9762161
Collection	Outdoor
Product Category	Wall
Product Family	CASTRO
Mounting Location	Wall
Application Environment	Outdoor

DIMENSION & WEIGHT

LxWxH (cm)	L: 16 W: 16 H: 16
Cut out (cm)	N/A
Weight (Kgr)	3.8

MATERIAL & COLOR

Product Color	Grey
Body Material	Sandstone & Acrylic

APPLICATION & MOUNTING

Ambient Working Temp.	(-15°C) ~ (+60°C)
Type of Protection	IP65
Dimmable	No
Type of Dimming (Optional)	N/A
Mounting type	Surface
Mounting Depth (cm)	N/A
Led Module Replaceable	Yes
Light Source	E27

NOVA LUCE S.A

Schimatari Viotias
32009, Greece

+30 22620 58 121
+30 22620 56 743

info@novaluce.com
www.novaluce.com



NOVA LUCE

PRODUCT DATASHEET

Version: 001

ELECTRICAL DATA

Power (Nominal)	12W
Input voltage (Nominal)	220-240Vac
Mains Frequency	50/60Hz

PHOTOMETRICAL DATA

Luminous Flux	N/A
Color Temperature	N/A
Light Color (Designation)	N/A

WARRANTY

Warranty	3 Years
----------	----------------

CERTIFICATES

Certificates	CE,UKCA
--------------	----------------

