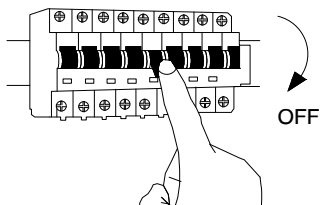


NOVA LUCE

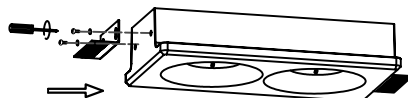
9060260

1



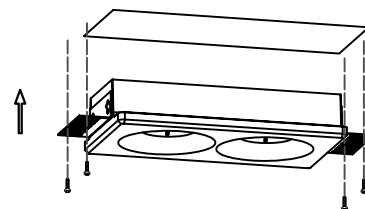
Turn off the general switch

2



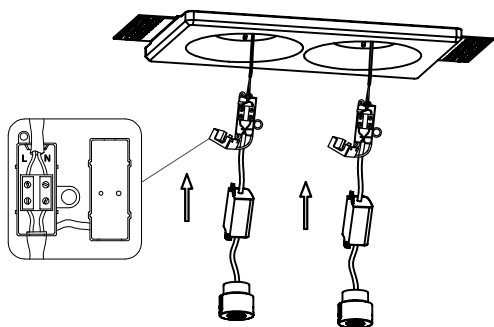
Untie the screws
to remove side parts

3



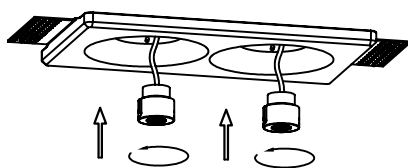
Apply side screws

4



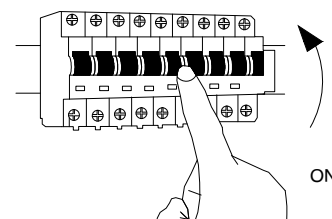
Connect wires & fix it in place

5



Make it stable
by rotating them into place

6



Turn on the general switch

