

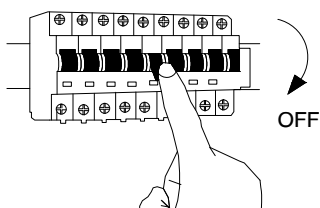
NOVA LUCE

9695120

Warning!

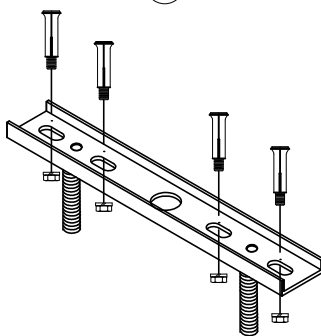
This light fitting operates at a normal supply Voltage of 220-240V.
When changing the bulb or fuses, always Switch Off the General Switch
& allow the old bulb to cool down before handling.

1



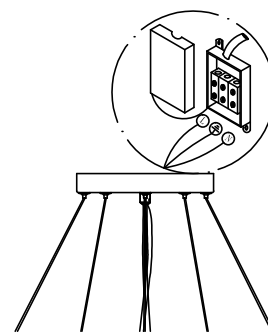
Turn off the general switch

2



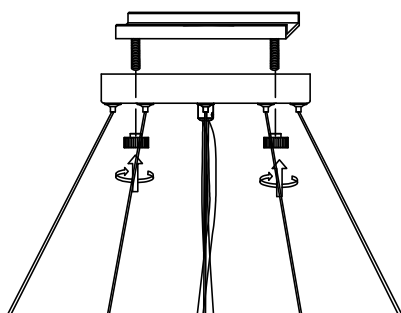
Align, mark & drill holes
Apply plastic anchors & screws

3



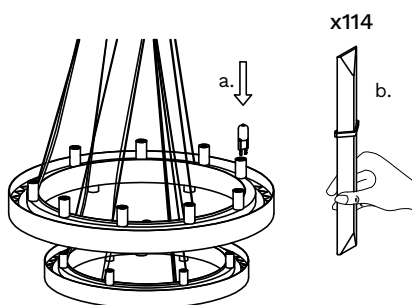
Connect wires

4



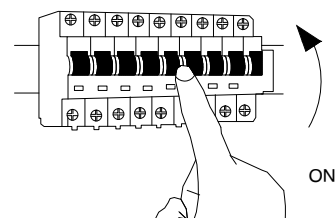
Fix the screws into place
to make it stable

5



a. Insert bulbs by rotating
b. Apply the crystals (x114)

6



Turn on the general switch

