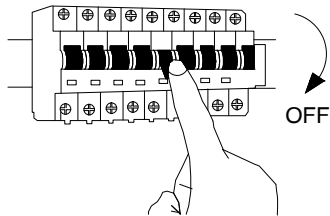
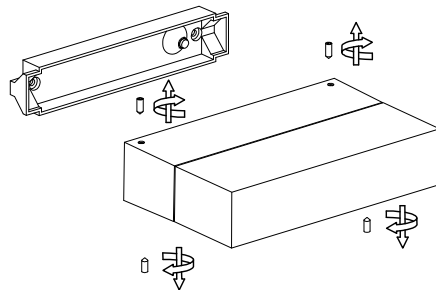


1



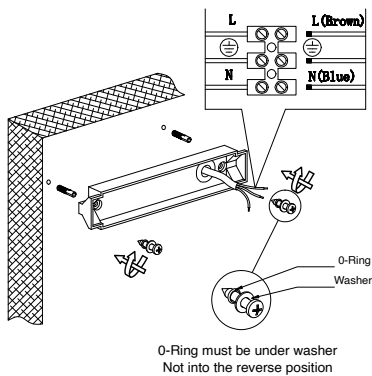
Turn off the general switch

2



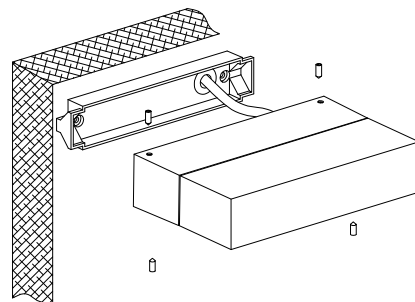
Untie side screws to remove the cup

3



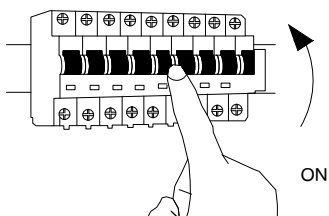
Apply anchors with screws
to make the base stable
& connect wires

4



Apply side screws to put it in place

5



Turn on the general switch

6

