

NOVA LUCE Instruction manual

Code: 9097021/9097022

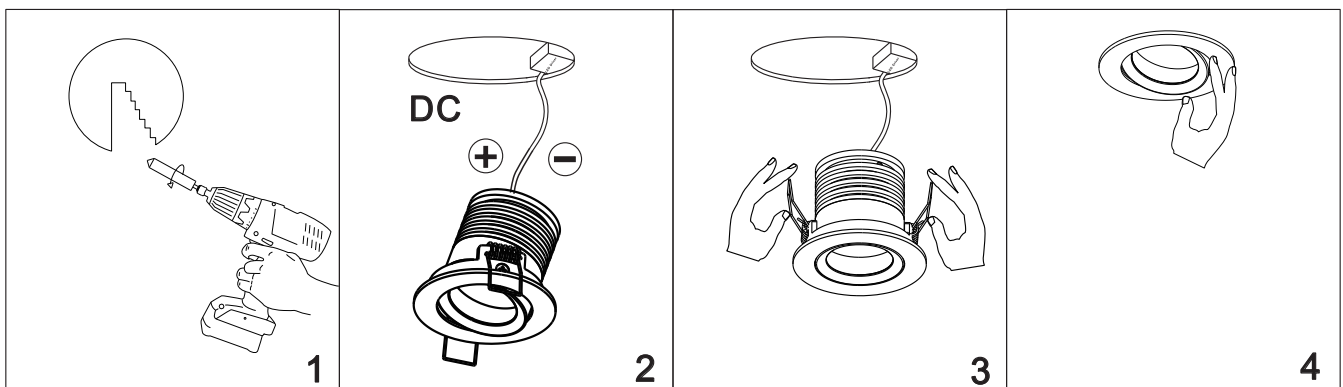
LED 2W

DC 700mA

Cutout:  52mm



1. The installation must be done by competent electricians.
2. Product can not be modified.
3. Make sure the power has been switched off before installation.
4. The product is a class III luminaire and shall be connected with a constant current driver according to the specifications in the above sheet.
5. When connecting more than one fixture, these are connecting in series, from plus to minus.
6. The connection of the luminaire, should be stranded with 0.5mm² - 1.5mm² conductor.
7. The specification for the driver means determines on the voltage and the maximum number of luminaires per loop.
8. Power should never be regulated on the secondary side.
9. See the installations on the image below.



WARNING!!!

Please read the following instructions carefully.

IMPORTANT:

- Although LED runs on a very low voltage, always cut off the power supply before installing the LED light or subjecting it to maintenance.
- Unauthorised alterations or tampering of the product will invalidate all the conditions of guarantee.