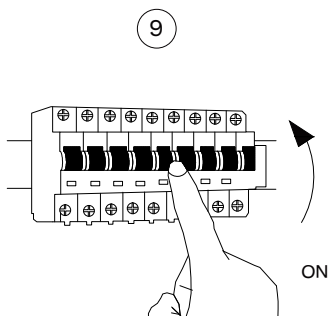
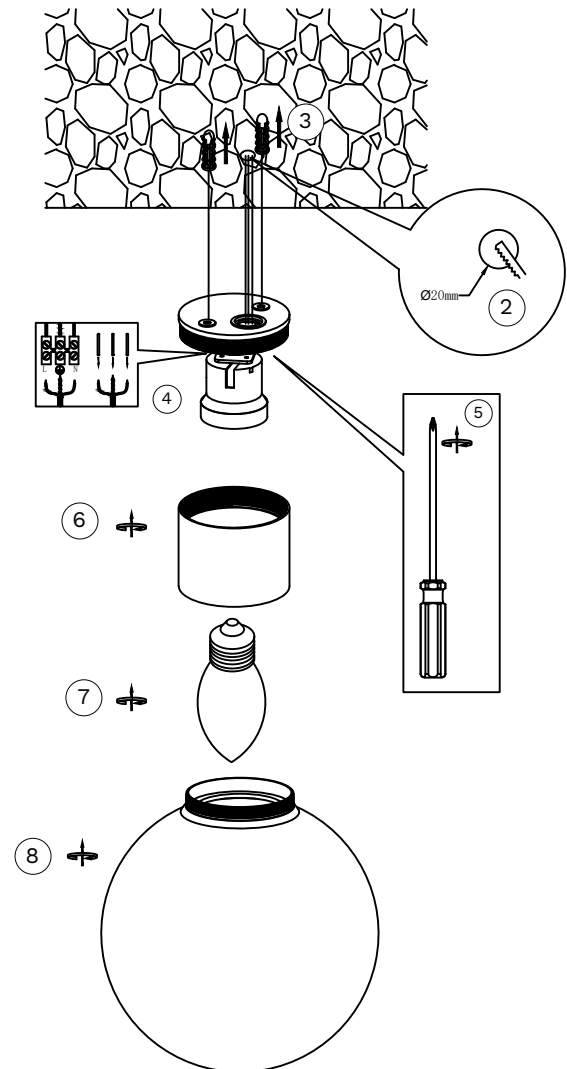


Turn off the general switch



Turn on the general switch



1. Turn off general switch
2. Create a 2 cm CutOut
3. Drill holes & apply plastic anchors
4. Connect the wires
5. Make it stable by tying up screws
6. By rotating apply cap
7. Apply bulb by rotating
8. By rotating apply end cap
9. Turn on the general switch

