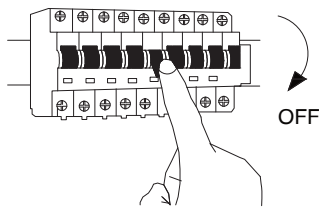


# NOVA LUCE

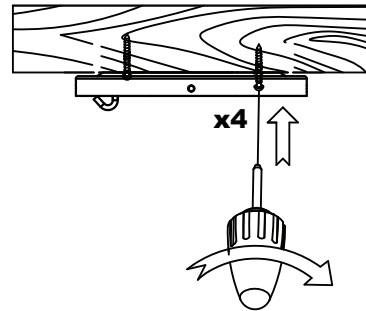
9953015

1



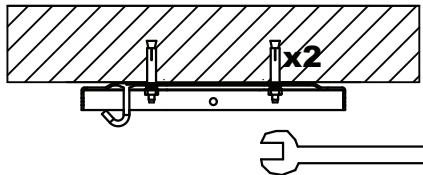
Turn off the General Switch

2



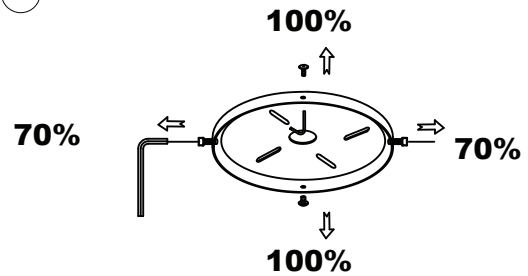
Apply screws

3



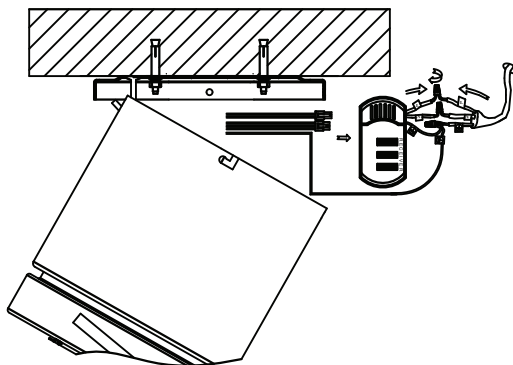
Tie up the screws into the anchors

4



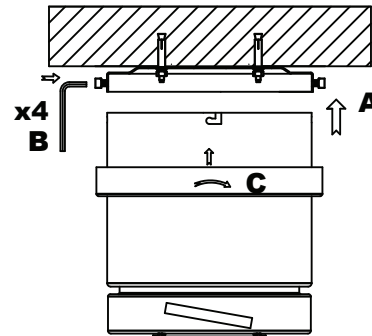
Connect parts by tidying up the screws

5



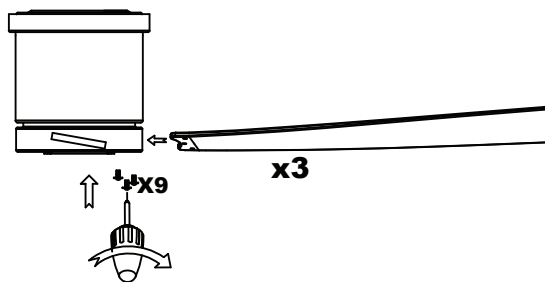
Apply screws & connect wires

6



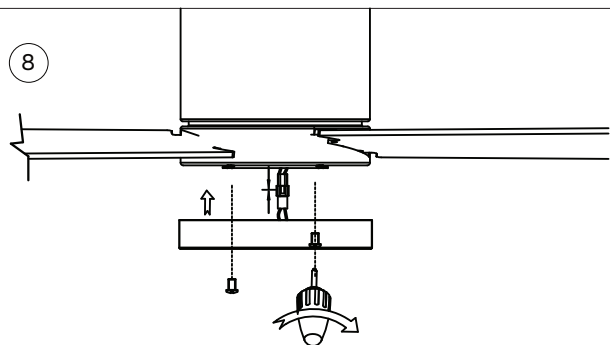
Fix the cap into place

7



Attach the wings by applying the screws

8



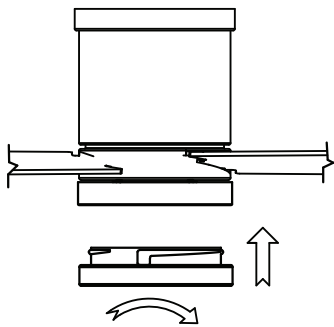
Attach the light pan by applying the screws



# NOVA LUCE

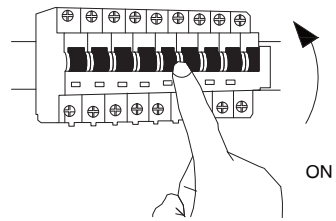
9953015

9

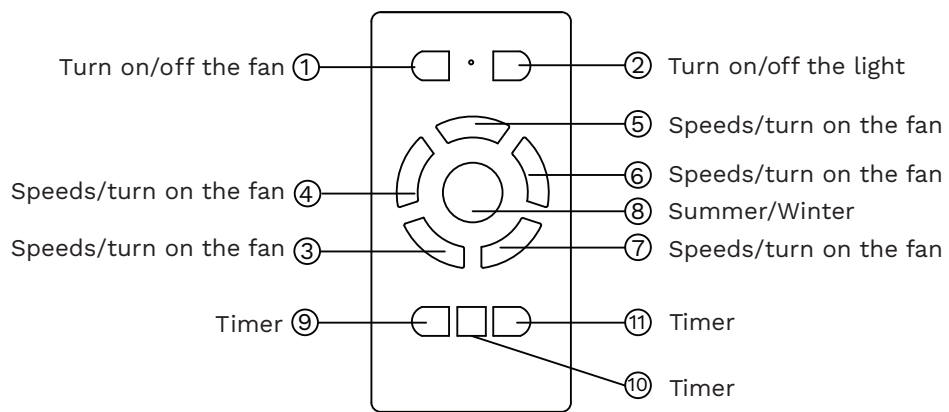


Attach the light shade and twist

10



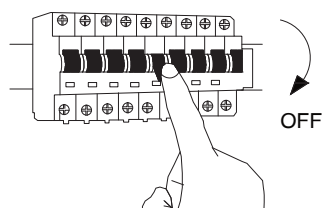
Turn on the General Switch



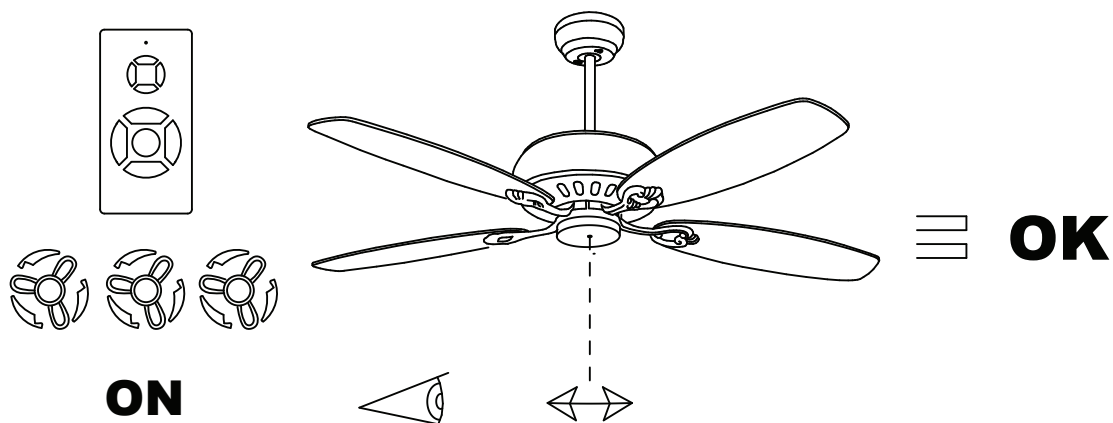
①	Fan on/off
②	
③	
④	
⑤	
⑥	
⑦	
⑧	
⑨	
⑩	
⑪	



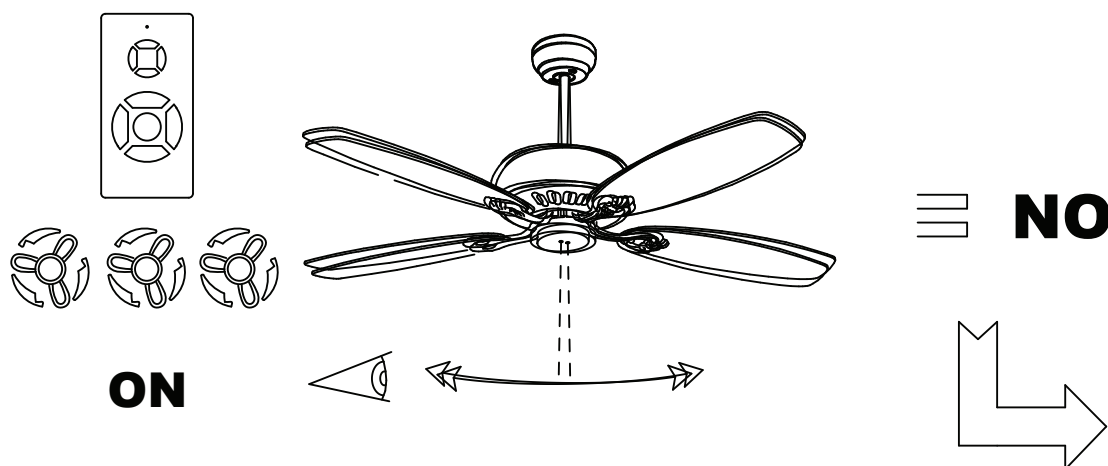
## Fan Balancing



1. Turn on the general Switch



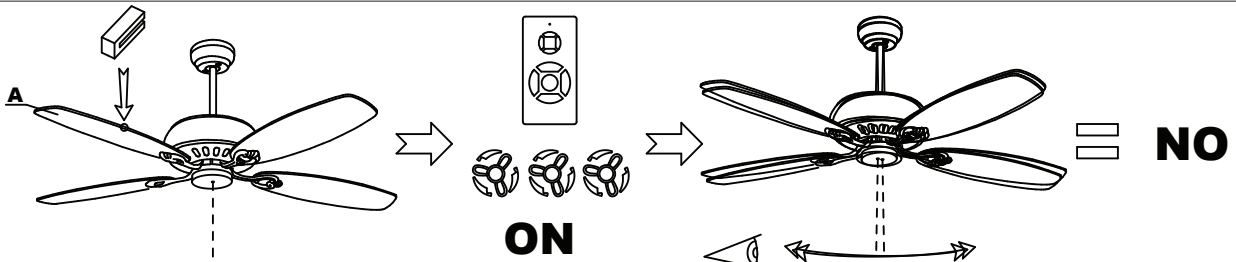
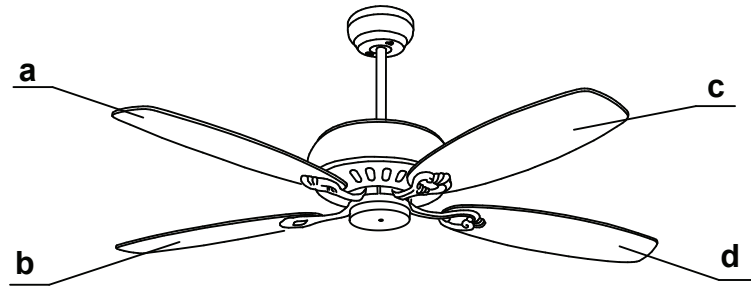
2. Observe its movement from a distance



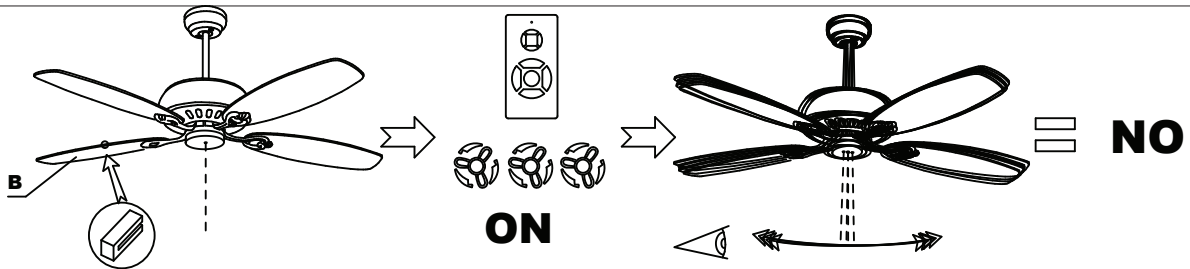
3. If it appears to be unstable, it should be balanced accordingly using the equilibrium.



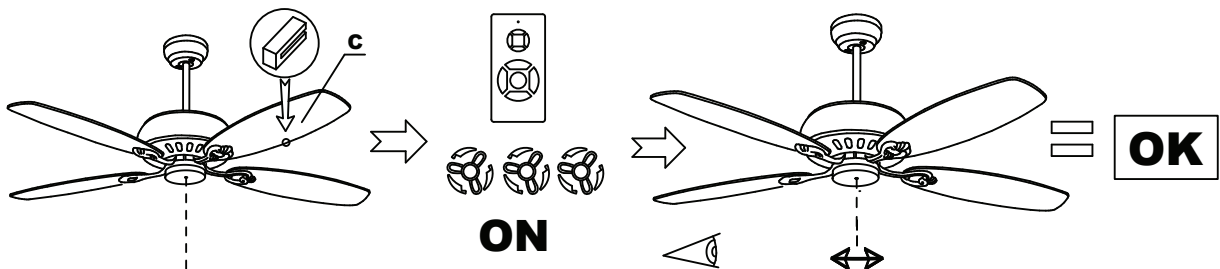
## Fan Balancing



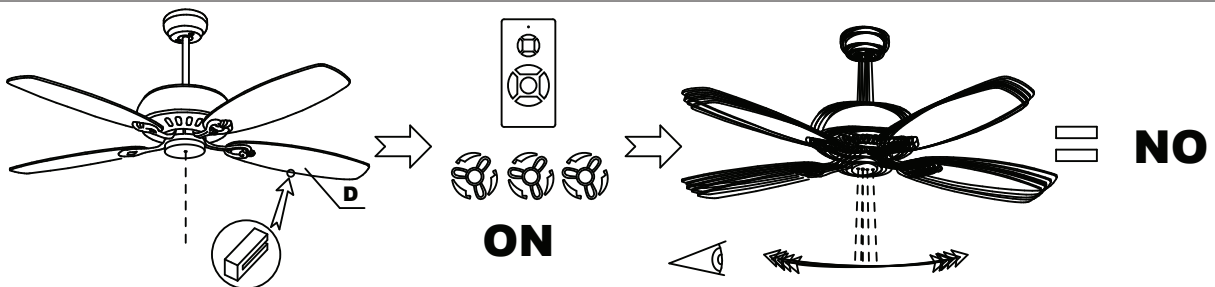
4. Place the equilibrium on the center of the A wing and turn on the fan in medium volume. Observe from a safe distance & if it appears non stable, it should be balanced.



5. Repeat the process with B wing. If it appears non stable, it should be balanced.



6. Repeat the process with C wing. If it appears non stable, it should be balanced.



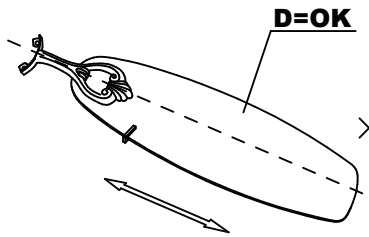
7. Repeat the process with D wing. If it appears non stable, it should be balanced.



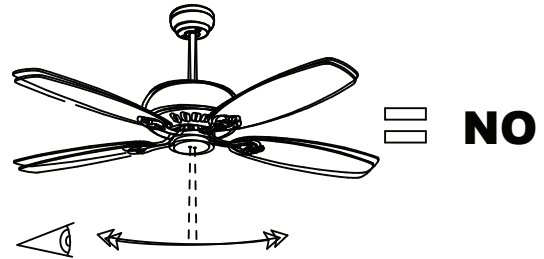
# NOVA LUCE

9953015

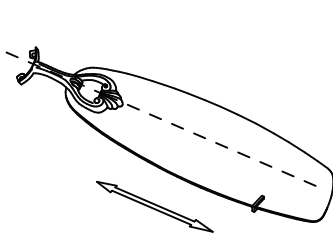
## Fan Balancing



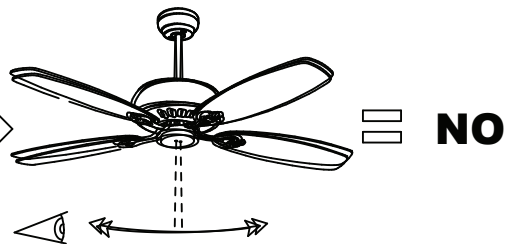
**ON**



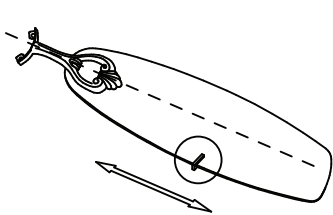
a. When D wing appears to be stable, make sure to place the equilibrium on the right place.



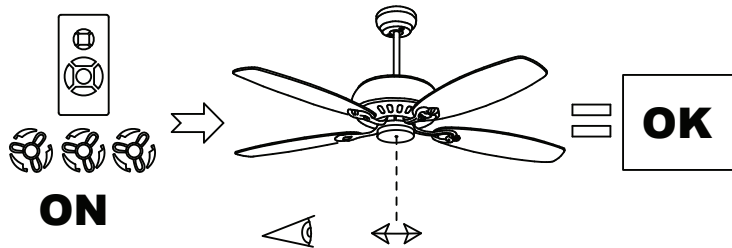
**ON**



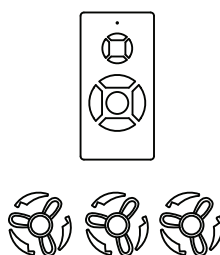
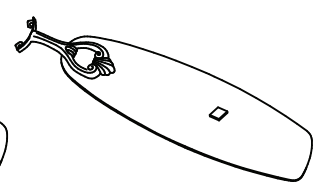
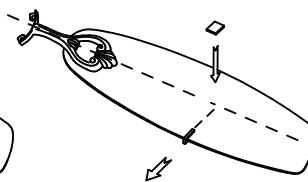
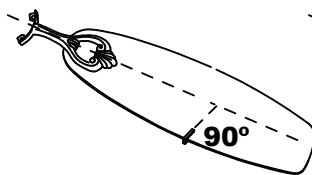
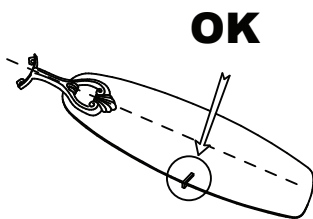
b. If the equilibrium is near the edge, when you turn on the fan, it will appear unstable.



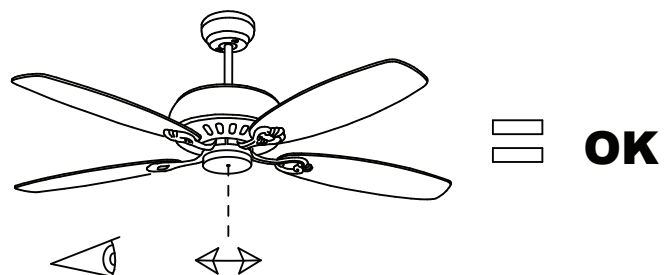
**ON**



c. When the equilibrium is in the middle of the wing, when you turn on the fan, it should be stable.



**ON**



d. Turn on the fan & if it appears stable on the center, your installation is ready for use.

