

NOVA LUCE

PRODUCT DATASHEET

Version: 001

PRODUCT PHOTOGRAPH



GENERAL INFORMATION

Product Code	9190211
Collection	Indoor
Product Category	Suspension
Product Family	Silenzio
Mounting Location	Ceiling
Application Environment	Indoor
Specifications	N/A

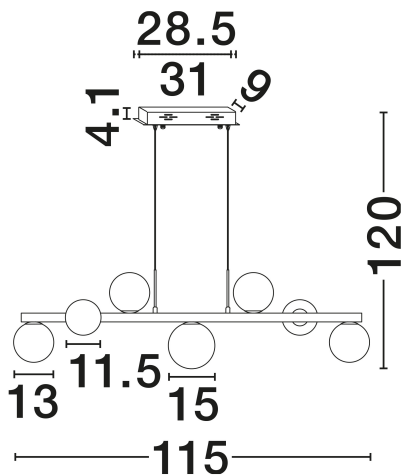
DIMENSION & WEIGHT

LxWxH (cm)	L: 115 W: 25 H: 120
Cut Out (cm)	N/A
Weight (Kgr)	4.8

MATERIAL & COLOR

Product Color	Brushed Nickel & Clear, Opal, Smokey, Purple
Body Material	Metal & Glass

TECHNICAL DRAWING



APPLICATION & MOUNTING

Ambient Working Temp.	Max 45°C
Type of Protection	IP20
Dimmable	Yes
Type of Dimming	Triac
Mounting type	Surface
Mounting Depth (cm)	N/A
Led Module Replaceable	No
Light Source	LED

NOVA LUCE S.A

Schimatari Viotias
32009, Greece

+30 22620 58 121
+30 22620 56 743

info@novaluce.com
www.novaluce.com



NOVA LUCE

PRODUCT DATASHEET

Version: 001

ELECTRICAL DATA

Power (Nominal)	40W
Input voltage (Nominal)	220-240V
Mains Frequency	50/60Hz

PHOTOMETRICAL DATA

Luminous Flux	2615lm
Color Temperature	3000K
Light Color (Designation)	Warm White

WARRANTY

Warranty	3 Years
----------	----------------

CERTIFICATES

Certificates	CE,UKCA
--------------	----------------

