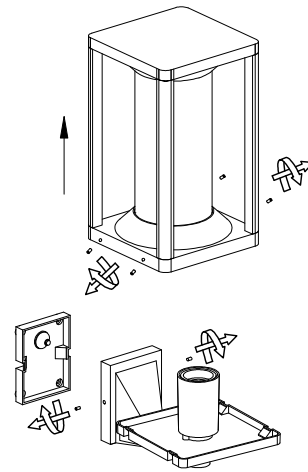
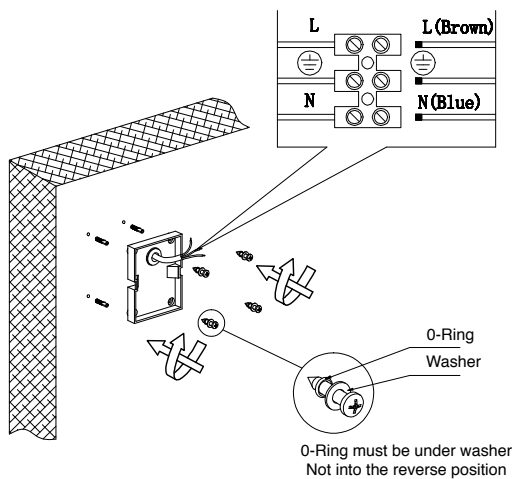


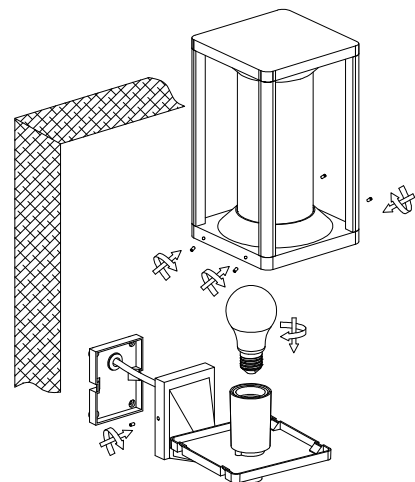
1. Turn off the general switch



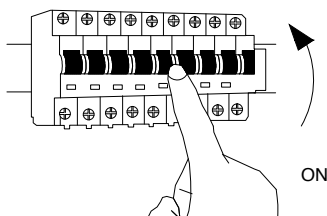
2. Untie side screws to remove the lamp



3. Connect wires & apply screws to make the base stable



4. Tidy up the bulb & connect parts by tiding up the side screws



5. Turn on the general switch

