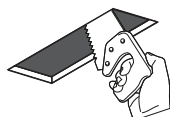
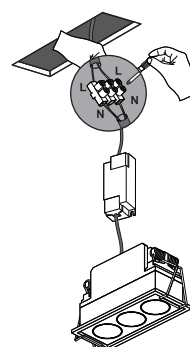


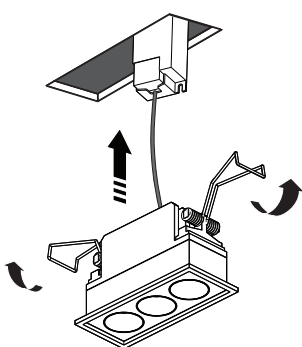
1. Turn off the general switch



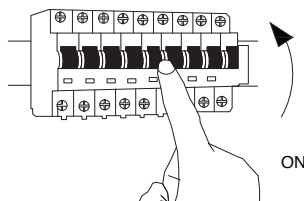
2. Cut out 20.5 x 2.5 cm



3. Connect the wires



4. Put it in place by pressing
The sides



5. Turn on the general switch

