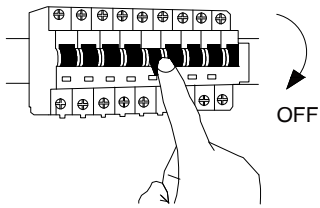
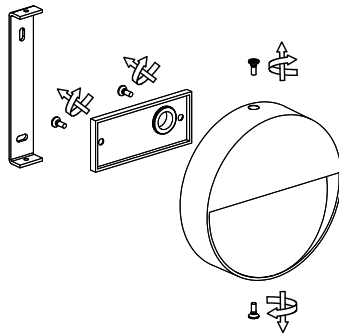


1



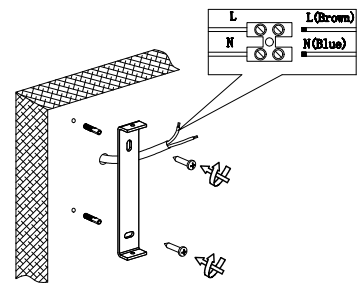
Turn off the general switch

2



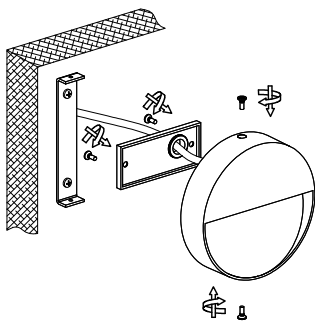
Dismantle parts

3



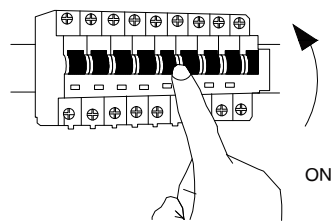
Mark & drill holes, apply plastic anchors  
Connect wires & tie up screws

4



Tie up screws to mae it stable

5



Turn on the general switch

6

