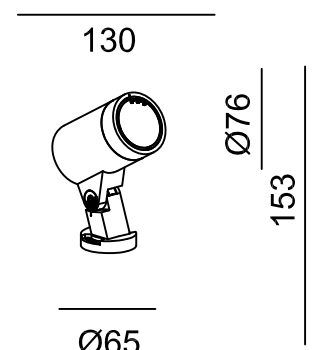
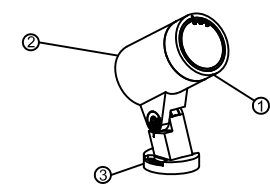


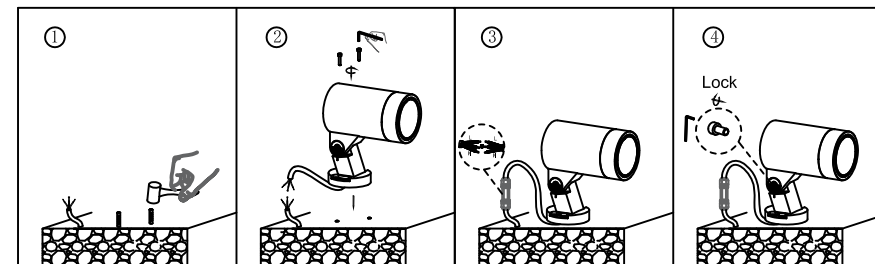
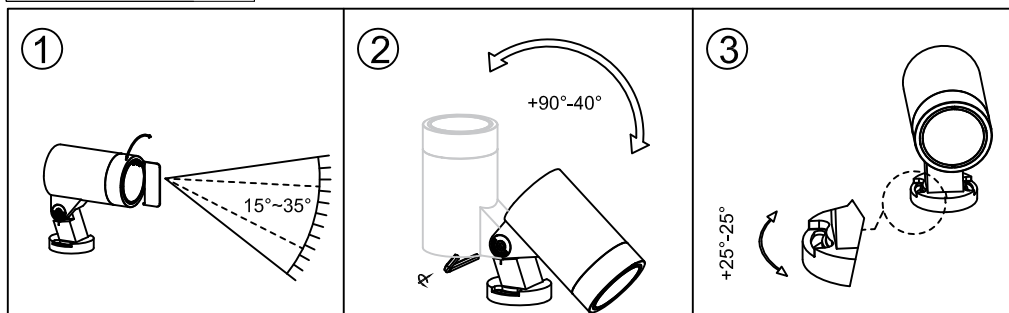
Dimension	Main parts
 <p>130</p> <p>153</p> <p>Ø76</p> <p>Ø65</p> <p>unit:mm</p>	 <p>1 Cover 2 Housing 3 Support</p>

Remark: The picture is for reference only, please refer to the actual product.

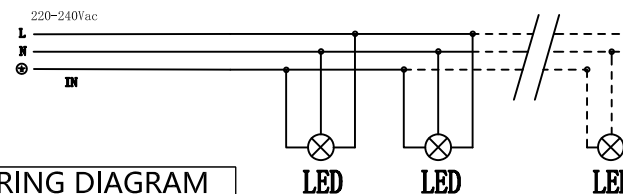
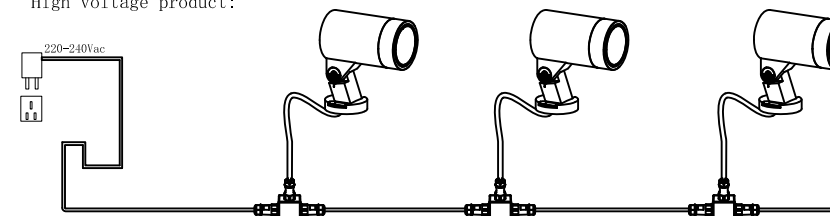
1.FEATURES

- It is high power in-ground lighting.
- Standard of color temperature 2700-3200K.
- Input voltage: 240V AC. When you install this product, please according to the sticker information to do it.
- Please find a qualified electrician or technician to install this product.
- This product is made by aluminum alloy. The surface finish is only available for natural environment. Don't put it into hostile environment like near the sea or high salt, high sour area.
- It is IP65, do not soak into the water.
- Available environment temperature: -20 ~ +40.

2.INSTALLATION



High voltage product:



3.WIRING DIAGRAM

LED LED LED

Housing: 12# Alu die-cast, powder coated T=60-80um, according with ISO class 1/ASTM class 4B

Frame: 12# Alu die-cast

Glass: 5mm thickness tempered glass

Power cable: H05RN-F 3X1.0mm²L=2.0m(High voltage)

Available environment temperature: -20°C~40°C

4.SPECIFICATION

Adjustable Angle(°)	Luminance(Lm)	Wattage(W)	Operating current(mA)	I _p Class	IK rate
BASE: +90° -40°	3000K CRI80 10291lm	10.4	500	65	07
HORIZONTAL: +25°	3000K CRI90 10751lm				