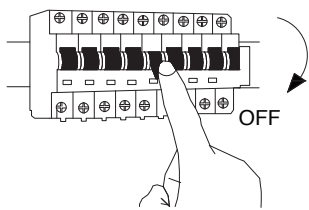
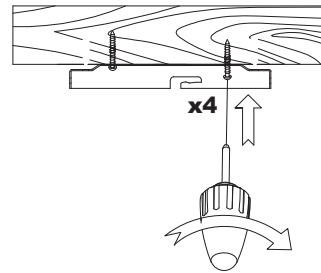


NOVA LUCE

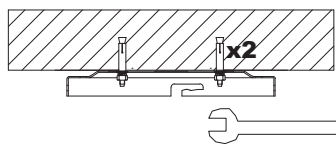
9952362



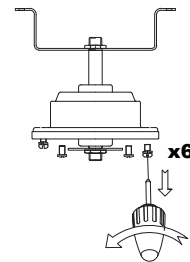
1. Turn off the general Switch



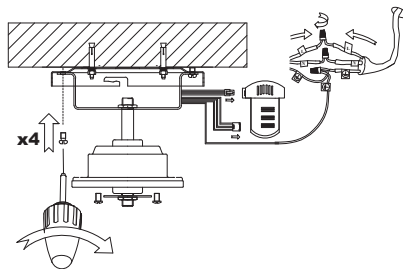
2. Apply screws



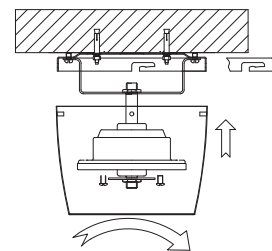
3. Tie up the screws into the anchors



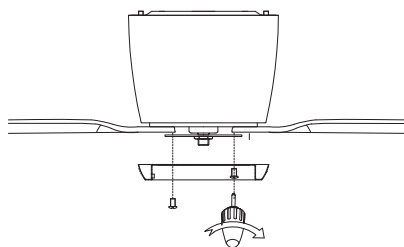
4. Connect parts by tiding up screws



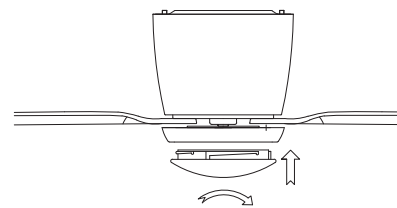
5. Apply screw & connect wires



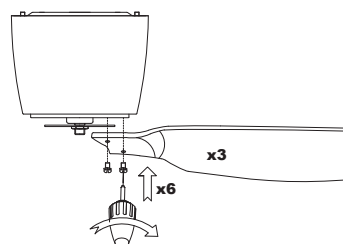
6. Apply the cap



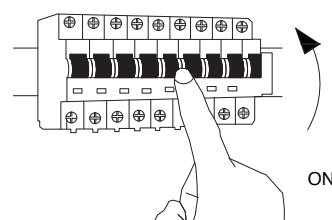
7. Apply the screws to make it stable



8. Insert the light



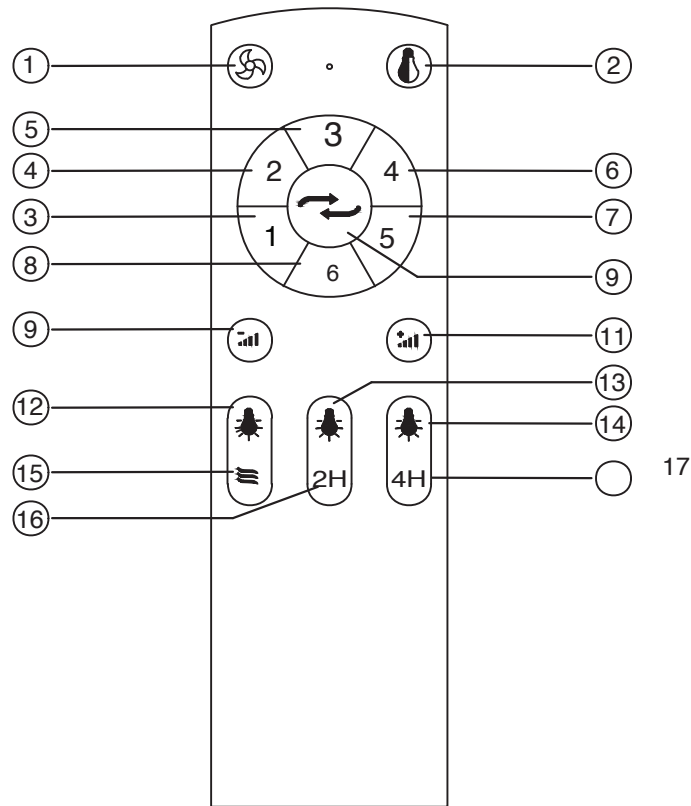
9. Attach the wings by applying the screws




















9. Turn on the general Switch

NOVA LUCE

9952362

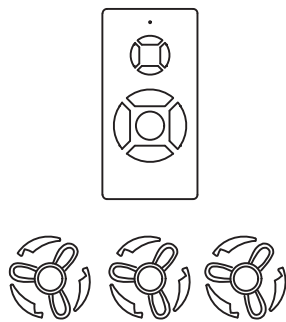
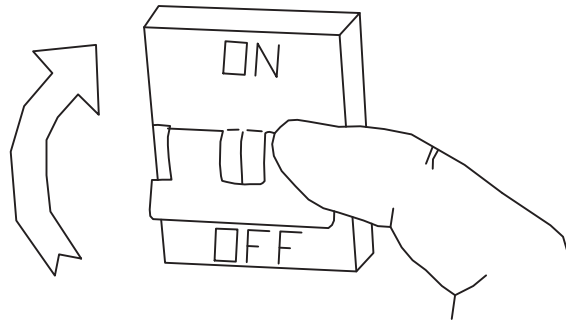


①	 Fan on/off
②	
③	
④	
⑤	
⑥	
⑦	
⑧	
⑨	

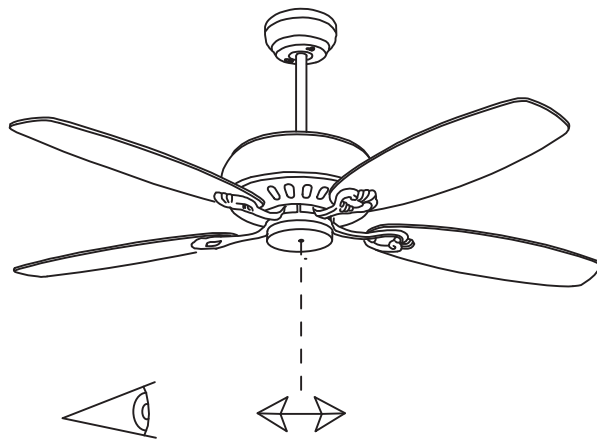
⑩	
⑪	
⑫	 3000K
⑬	 4000K
⑭	 5000K
⑮	 Natural wind
⑯	
⑰	

NOVA LUCE

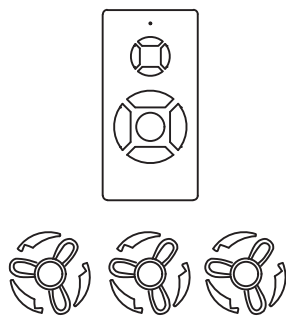
9952362



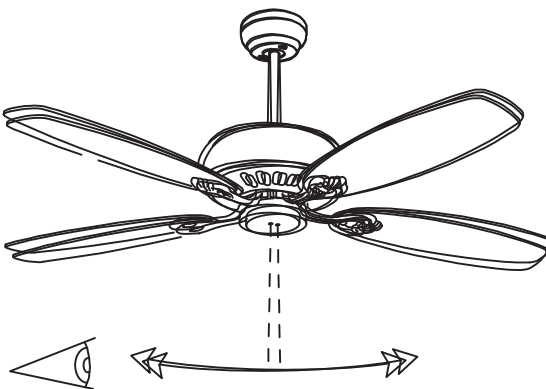
ON



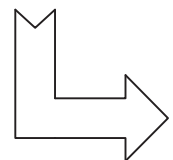
OK



ON

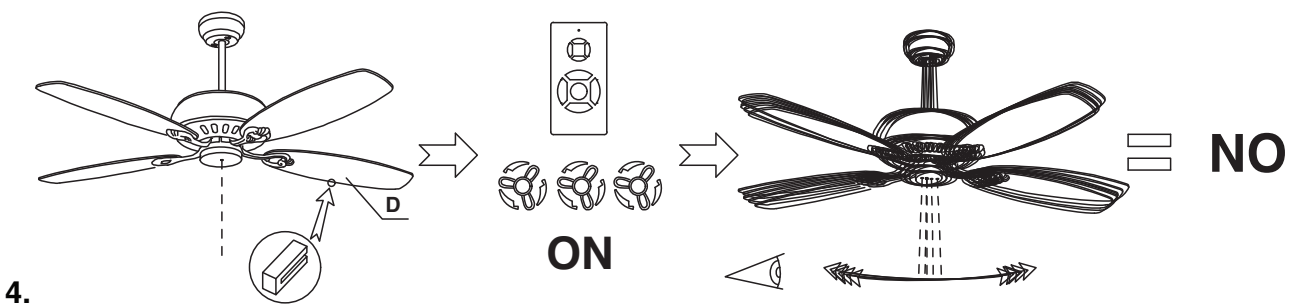
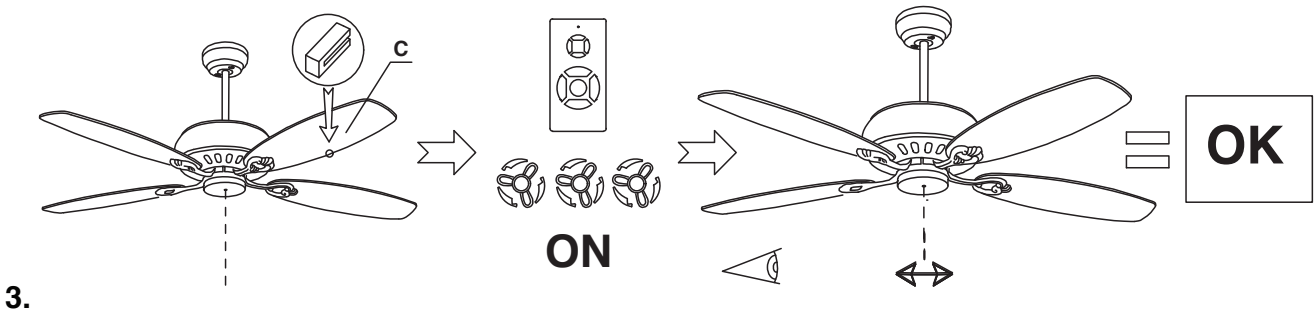
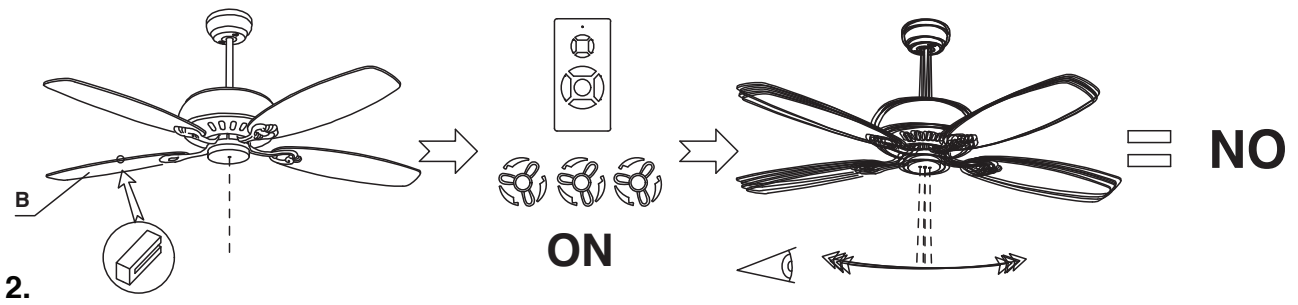
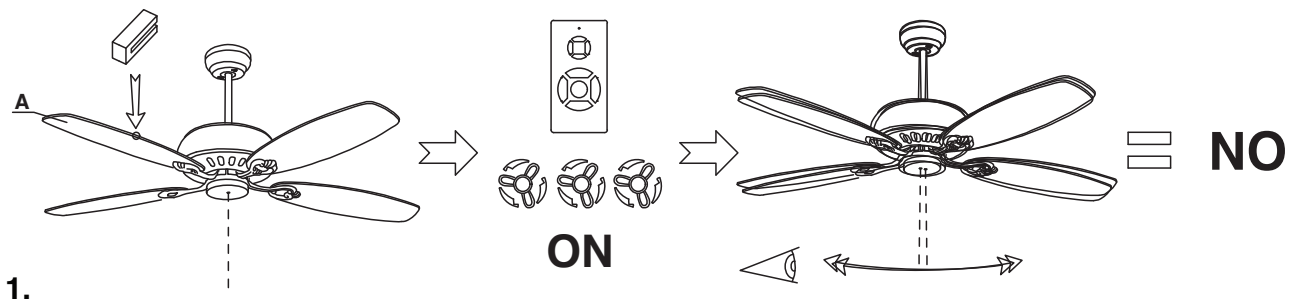
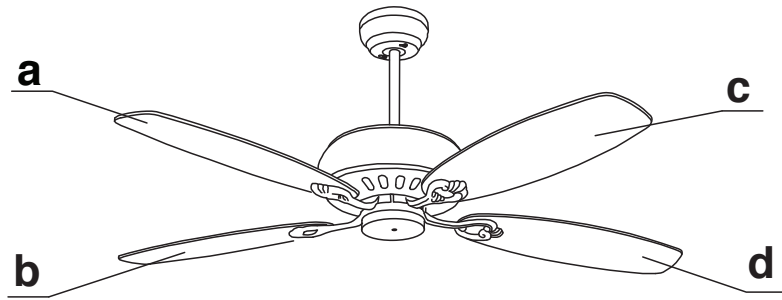


NO



NOVA LUCE

9952362



NOVA LUCE

9952362

