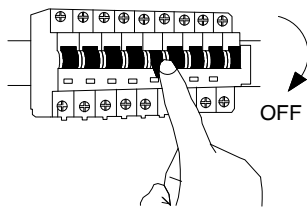
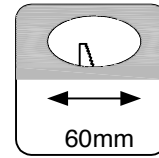


1

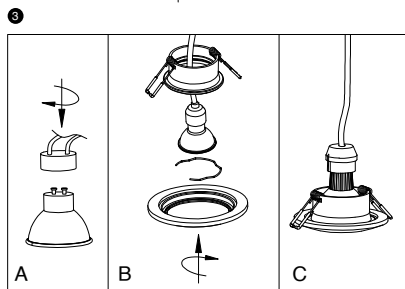
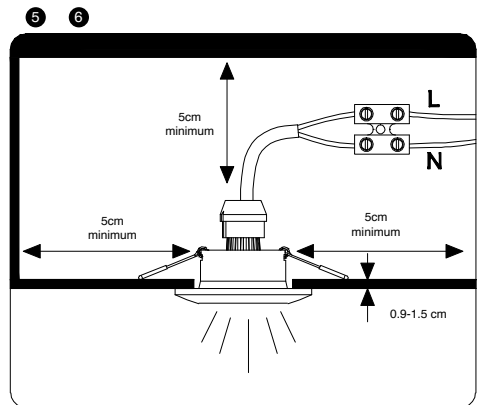
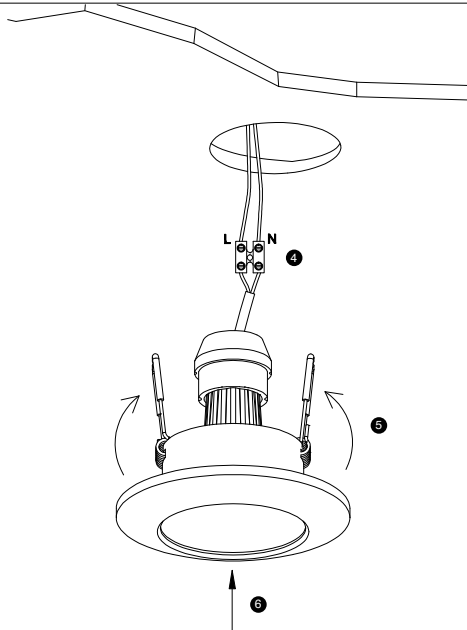


Turn off the general switch

8

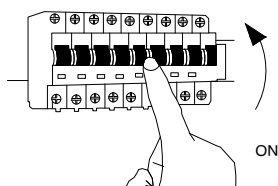


Create a CutOut



- 3./A.B.C. Insert bulb by following the steps
- 4. Connect wires
- 5. Press the sides up
- 6. Fix the light into the CutOut area by pressing it upwards

7



Turn on the general switch

8

