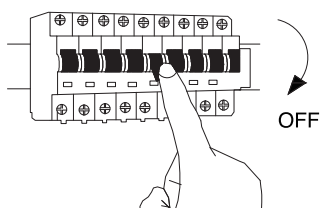
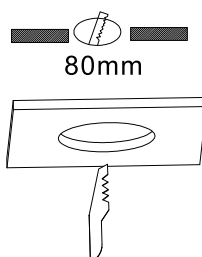


1



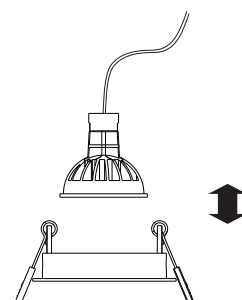
Turn off the general Switch

2



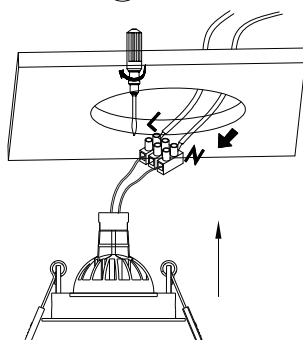
Make a cut out

3



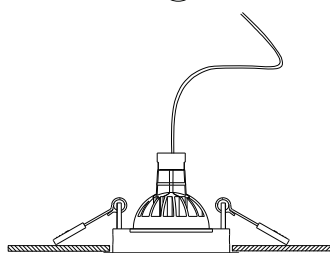
Adjust the cap

4



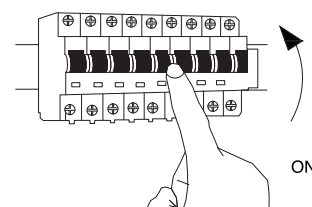
Connect wires

5



Apply the product in to place

6



Turn on the general Switch

