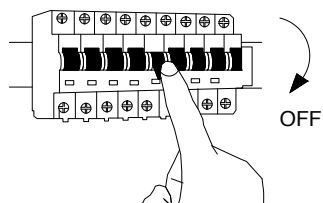


# NOVA LUCE

9248183,9248185

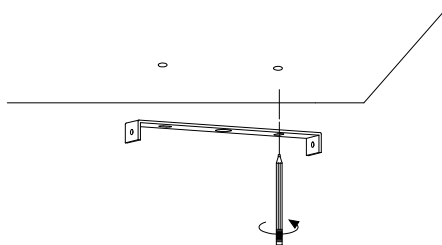
9248187,9248189

①



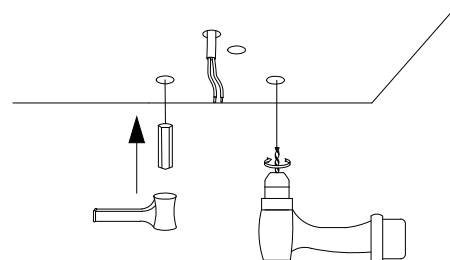
Turn off the general switch

②



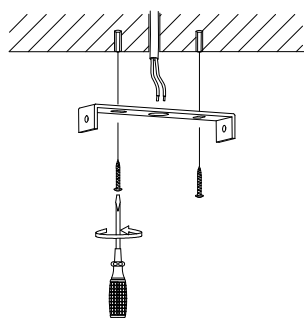
Mark where to drill holes

③



Apply plastic anchors

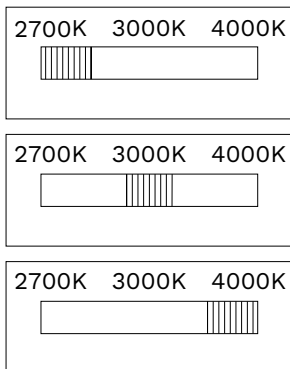
④



Apply screws

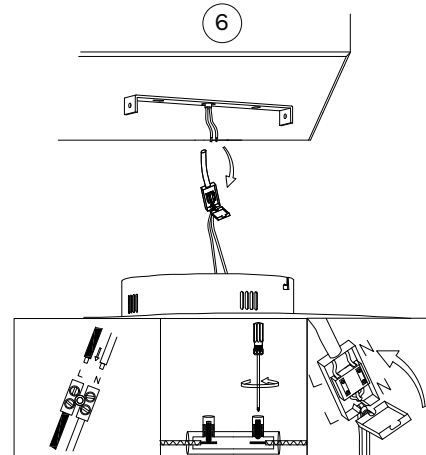
⑤

CCT switch in canopy



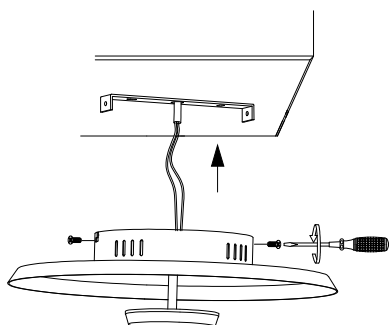
Choose the color temperature

⑥



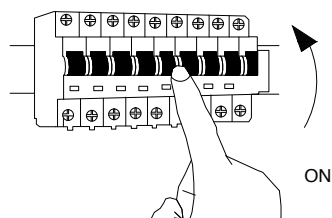
Connect the wires

⑦

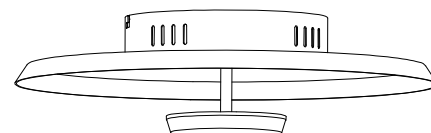


Apply side screws

⑧



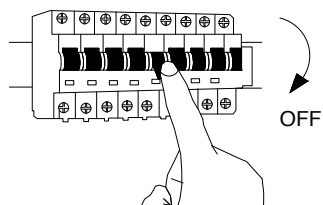
Turn on the general switch



# NOVA LUCE

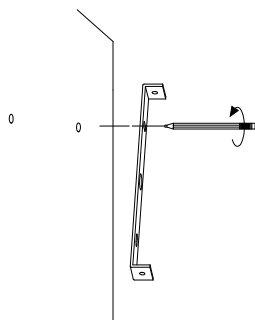
9248183,9248185  
9248187,9248189

1



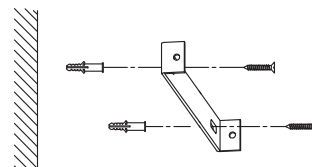
Turn off the general switch

2



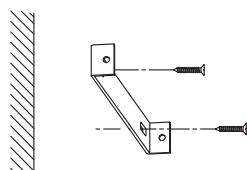
Mark where to drill holes

3



Apply plastic anchors

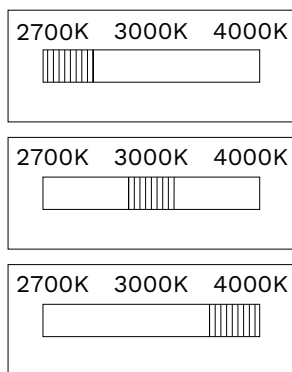
4



Apply screws

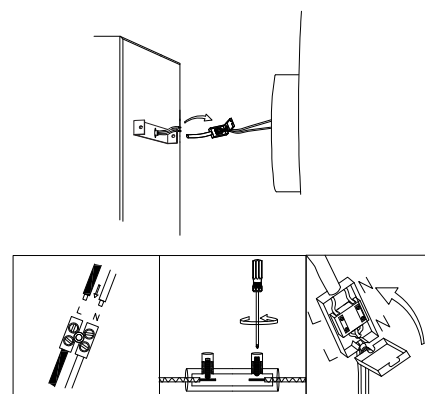
5

CCT switch in canopy



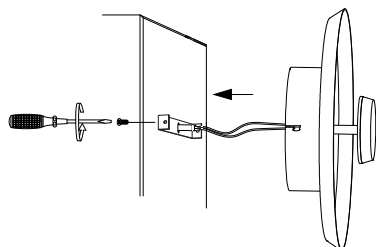
Choose the color temperature

6



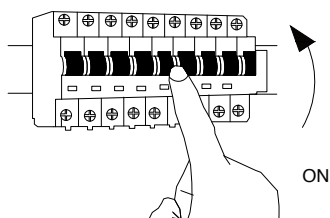
Connect the wires

7



Apply side screws

8



Turn on the general switch

