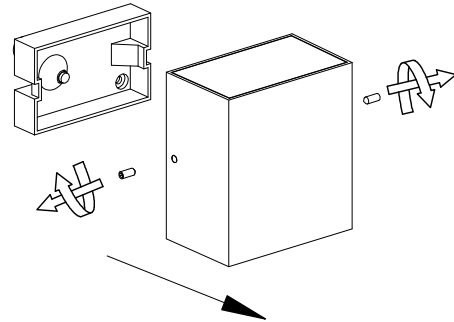
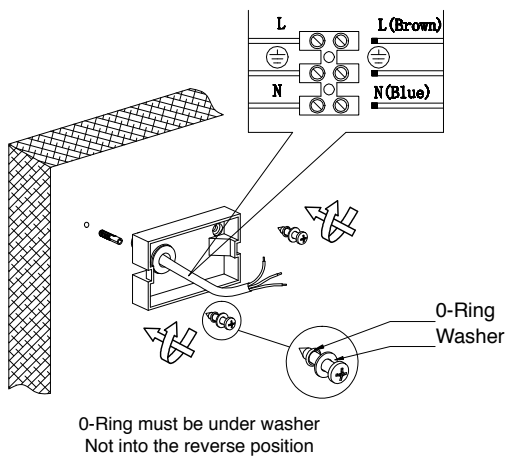


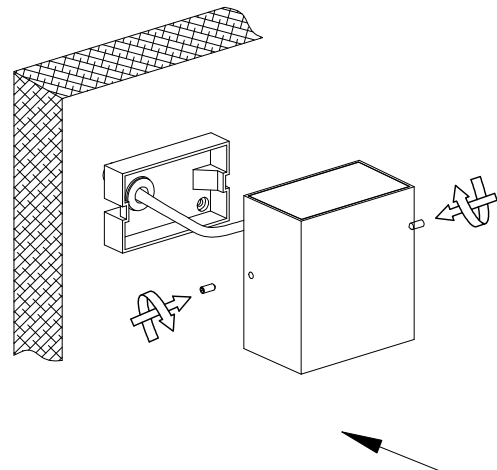
1. Turn off the general switch



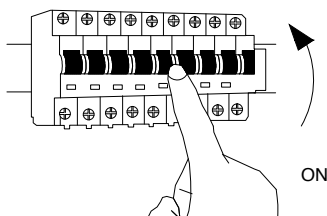
2. Untie side screws to remove the cap



3. Connect wires & apply screws to make the base stable



4. Apply the cap by tiding up the side screws



5. Turn on the general switch

