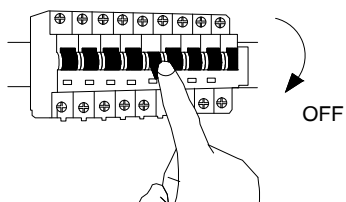


NOVA LUCE

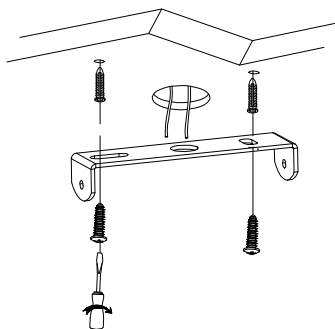
9012171/ 9012172/ 9012173

1



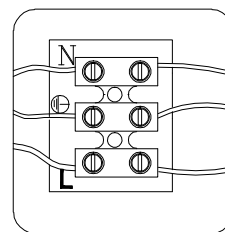
Turn off the general switch

2



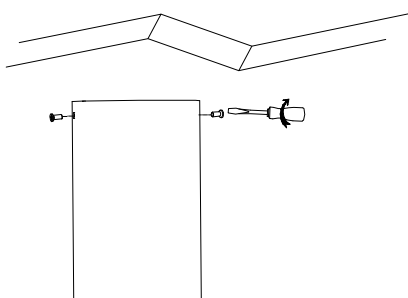
Make holes
& apply the crewsa CutOut

3



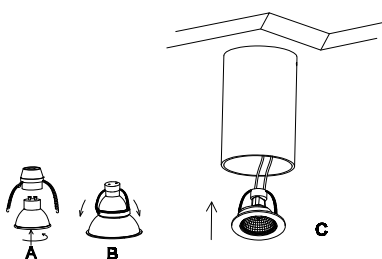
Connect wires

4



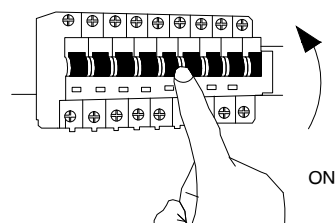
Tie up side screws

5



Insert the bulb
by following the steps

6



Turn on the general Switch

7

