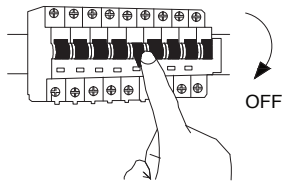


NOVA LUCE

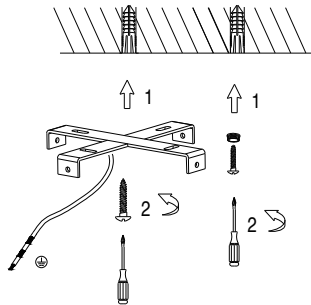
9530170, 9530180, 9530190

1



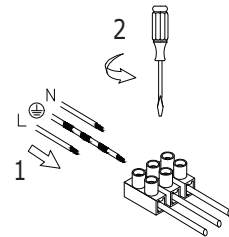
Turn off the general switch

2



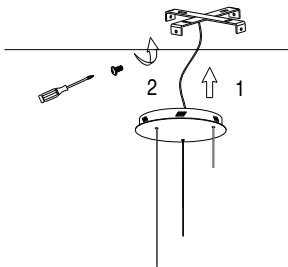
Mark, drill holes, apply plastic anchors
Tie up screws to fix base into place

3



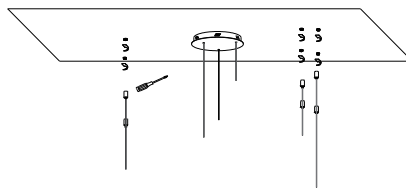
Connect the wires

4



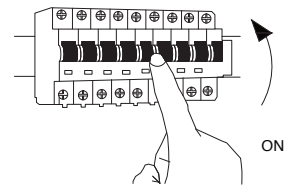
Apply side screws to make it stable

5



Fix parts into place
by tying up screws

6



Turn on the general switch

