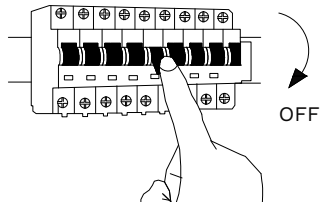


NOVA LUCE

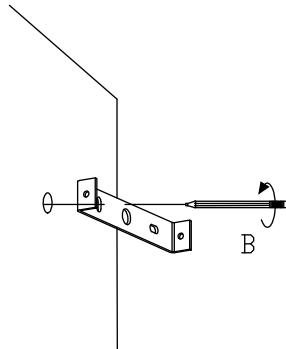
9006086, 9006087

1



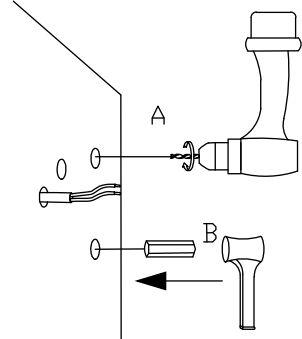
Turn off the general switch

2



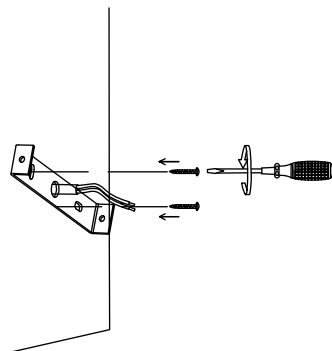
Mark where to drill holes

3



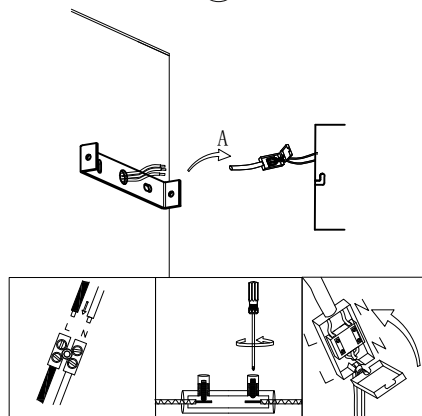
Make holes & apply anchors

4



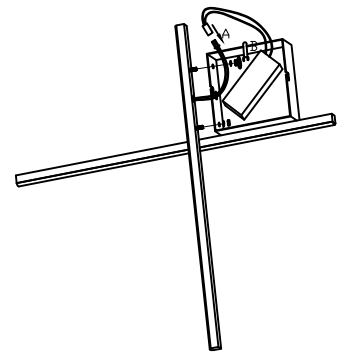
Tie up the screws
to make it stable

5



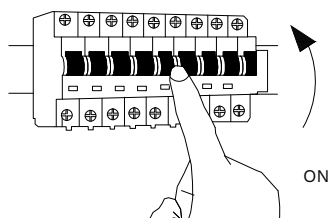
Connect the wires

6



Put the screws on arm through the hole
of canopy box & connect the cable by quick plug
Tighten the screw

7



Turn on the general switch

8

