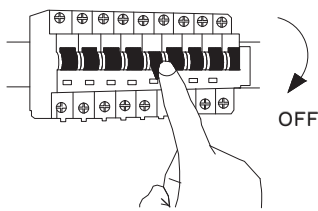


NOVA LUCE

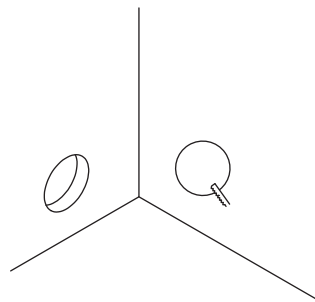
9944141 9944142

1



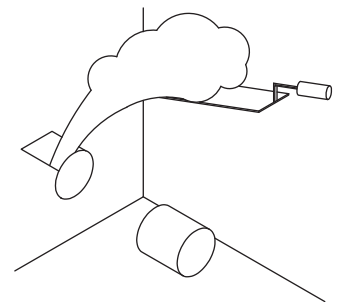
Turn off the general switch

2



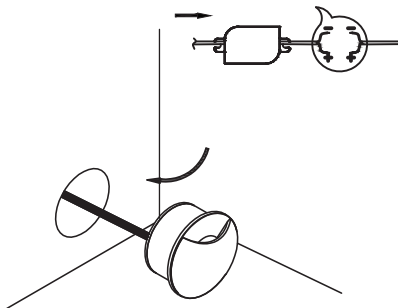
Create a CutOut

3



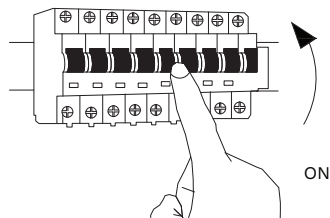
Apply a sealer
to insert the cylinder into the hole

4



Connect wires
& insert the luminaire
into the stable box

5



Turn on the general switch

6

