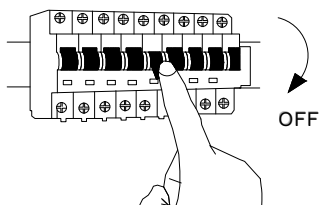
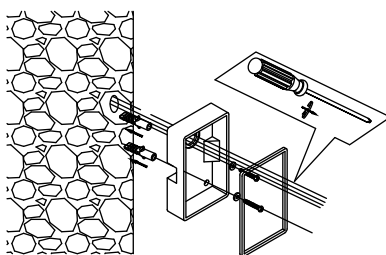


1



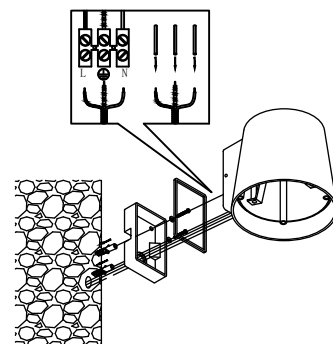
Turn off the general switch

2



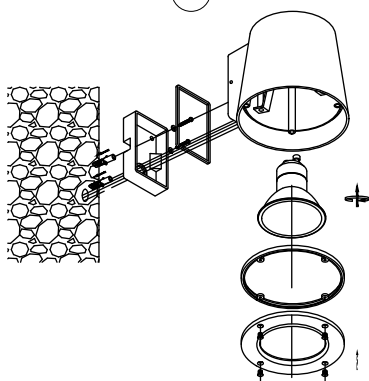
Mark, drill holes, apply plastic anchors & tie up screws

3



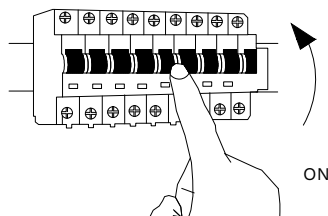
Connect wires

4



Insert bulb by rotating & apply the caps by tying up the screws

5



Turn on the general switch

6

