

NOVA LUCE

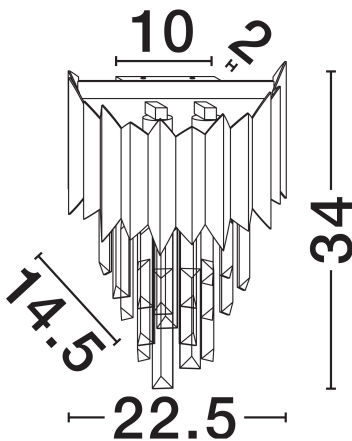
PRODUCT DATASHEET

Version: 001

PRODUCT PHOTOGRAPH



TECHNICAL DRAWING



GENERAL INFORMATION

Product Code	9824060
Collection	Indoor
Product Category	Wall
Product Family	Magnolia
Mounting Location	Wall
Application Environment	Indoor
Specifications	N/A

DIMENSION & WEIGHT

LxWxH (cm)	L: 22.5 W: 14.5 H: 34
Cut Out (cm)	N/A
Weight (Kgr)	1.2

MATERIAL & COLOR

Product Color	Chrome
Body Material	Aluminium & Crystal

APPLICATION & MOUNTING

Ambient Working Temp.	Max 45°C
Type of Protection	IP20
Dimmable	N/A
Type of Dimming	N/A
Mounting type	Surface
Mounting Depth (cm)	N/A
Led Module Replaceable	Yes
Light Source	E14

NOVA LUCE S.A

Schimatari Viotias
32009, Greece

+30 22620 58 121
+30 22620 56 743

info@novaluce.com
www.novaluce.com



NOVA LUCE

PRODUCT DATASHEET

Version: 001

ELECTRICAL DATA

Power (Nominal)	2x5W
Input voltage (Nominal)	220-240V
Mains Frequency	50/60Hz

PHOTOMETRICAL DATA

Luminous Flux	N/A
Color Temperature	N/A
Light Color (Designation)	N/A

WARRANTY

Warranty	3 Years
----------	----------------

CERTIFICATES

Certificates	CE,UKCA
--------------	----------------

