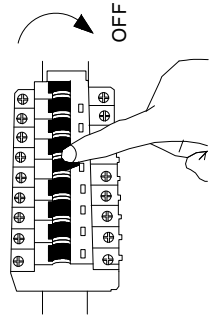
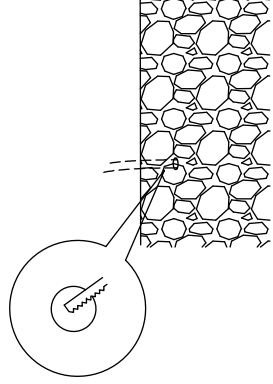


1



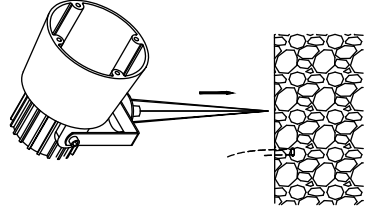
Turn off the general switch

2



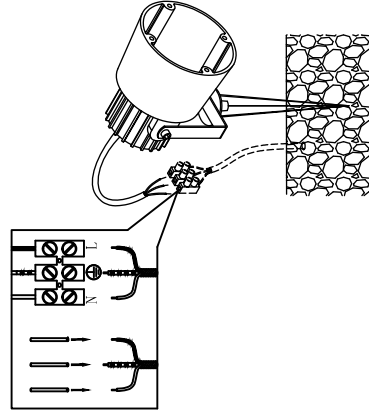
Create a CutOut

3



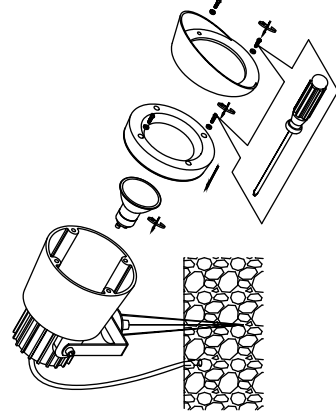
Place the spike in the desirable spot

4



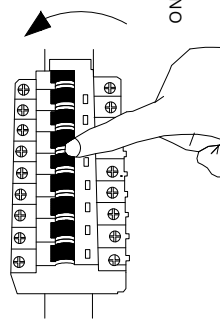
Connect wires

5



Insert the bulb by rotating  
& apply the caps  
by tying up the screws

6



Turn on the general switch

