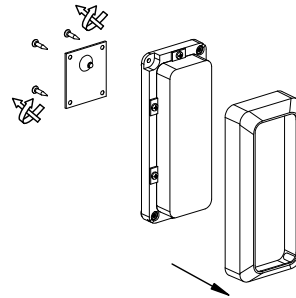
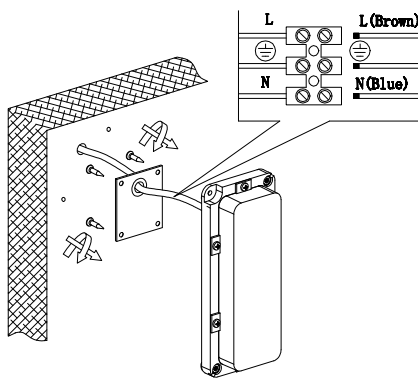


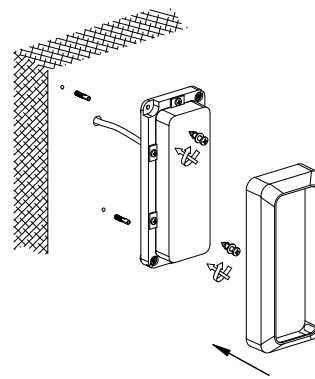
1. Turn off the general switch



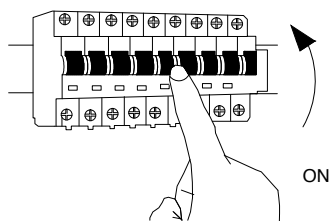
2. Untie screws & remove lid



3. Install cable & tie up screws
To make it stable



4. Tie up screws & place the lid on



5. Turn on the general switch

