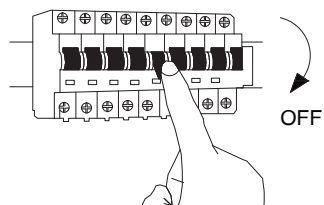
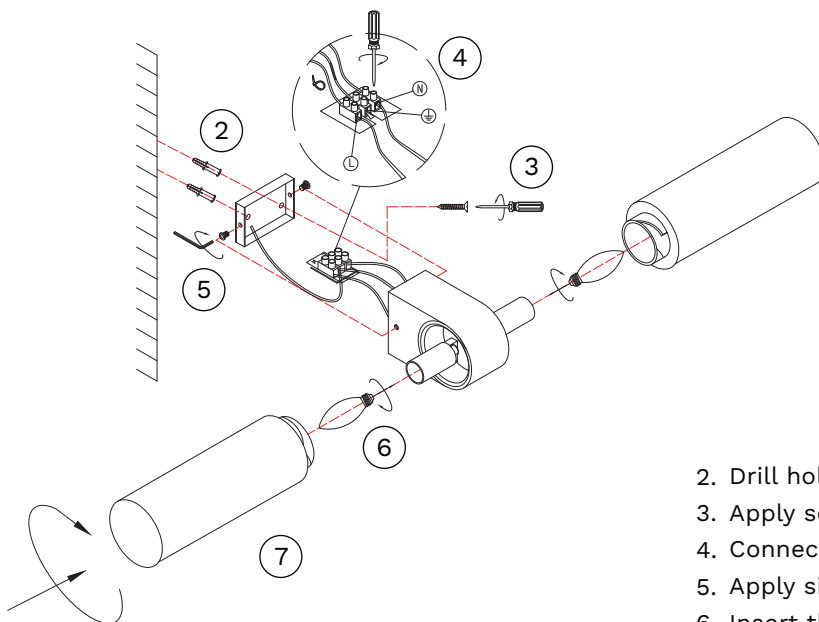


①

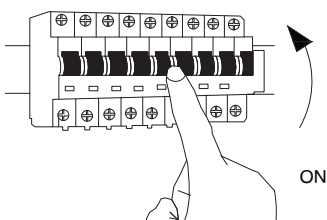


Turn off the general switch



2. Drill holes & apply plastic anchors
3. Apply screws
4. Connect the wires
5. Apply side screws
6. Insert the bulbs
7. Apply the glass

⑧



Turn on the general switch

