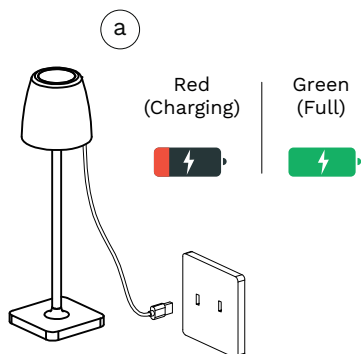
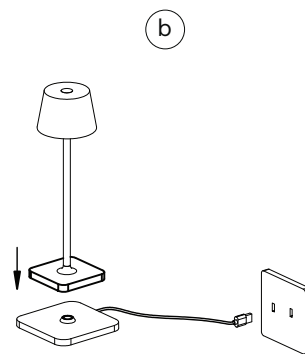


1

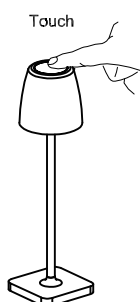


Firstly, charge the lamp until the led changes to green.  
The USB cable is in the attachment bag.  
We recommend that you use 1A adaptor.



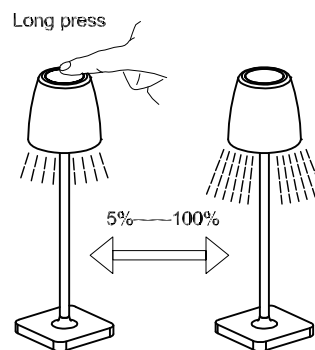
Or charge the lamp by connecting it on base

3



To turn on/ off the lamp,  
please touch the switch on the top

4



The lamp is dimmable

