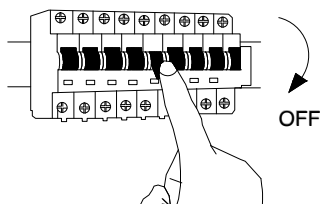


NOVA LUCE

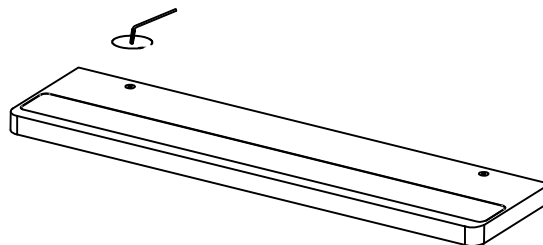
9060258

1



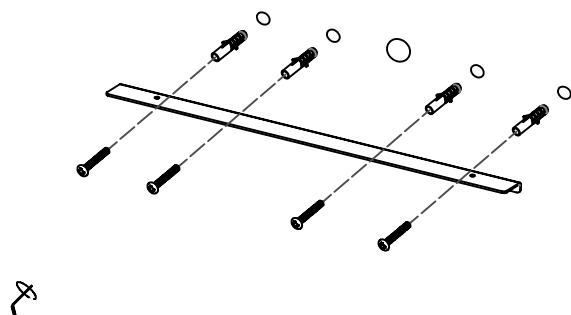
Turn off the general switch

2



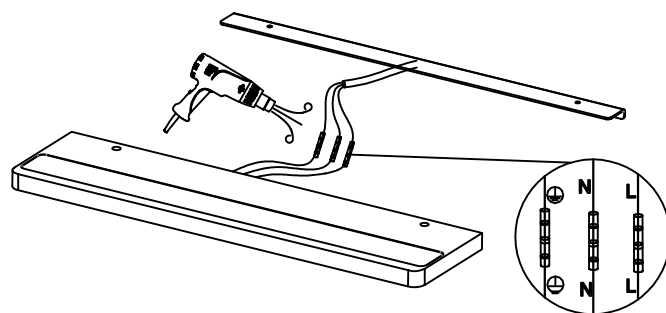
Untie the screws to remove the cap

3



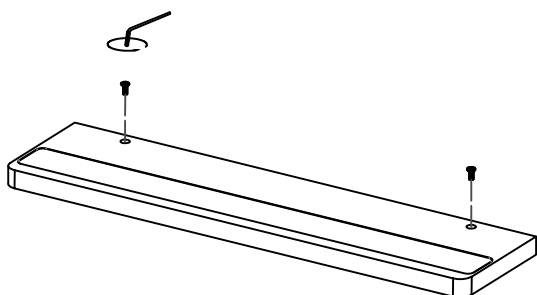
Align, mark & drill holes
& apply plastic anchors & tie up the screws

4



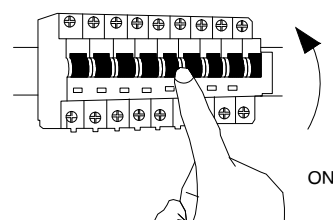
Connect wires

5



Tie up the screws by rotating

6



Turn on the general switch

