

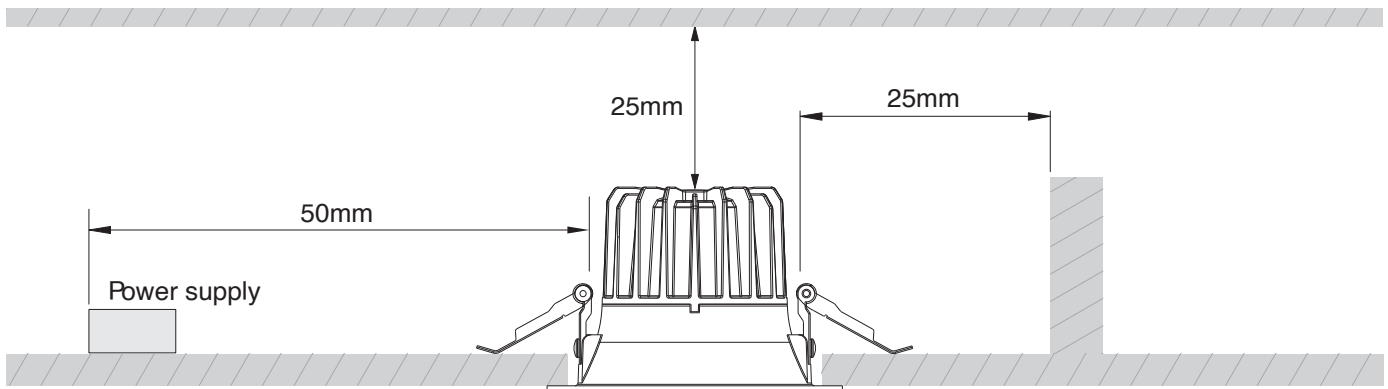
Important Safety Instructions

Basic safety precautions should always be followed when installing, including the following:

1. Read instructions & check you have all the tools & accessories to complete the installation correctly.
2. Licensed electrician for installation only .
3. Always ensure the power is OFF and the fitting has cooled down before performing any maintenance, cleaning, changing the globe or adjustment to the fitting.
4. Do not install any luminaire near the heat source.
5. Do not exceed the nominal supply voltage or amperage ratings.
6. To avoid injury or damage to the fitting, please ensure that power leads and screws are secure before connecting the power .

Installation Instruction

Fig 1: Installation Spacing



Ceiling cutout table

Downlight Dia (inch)	2.5	3	4	5	6	8
Ceiling Cutout (mm)	68-75	90-100	120-130	140-150	160-170	195-230

For Lamp:

RISK OF FIRE -- Required clearance from structural members and building elements

SCB=25mm HCB=25mm MIC=25mm SCI=25mm

HCB: Height clearance to building element

MIC: Minimum insulation clearance

SCI : Side clearance to insulation

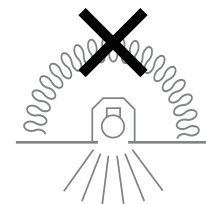
SCB: Side clearance to building element

SCG(Side clearance to auxiliary equipment (control gear (CG))):50mm

For LED driver:

RISK OF FIRE -- Required clearance from structural members and building elements

SCB=25mm HCB=25mm MIC=25mm SCI=25mm



WARNING-RISK OF OVERHEATING OR FIRE IF THE CLEARANCE DISTANCES

IP rating table: Before installation, please check the IP label on the luminaire to choose the right place to install.

IP20/IP40	Indoor use only, do not use in wet or damp place.
IP44/IP54	Suitable for indoor areas including bathrooms and covered/sheltered areas such as porches.

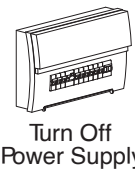
Dimmer selection table: Before installation, please check the information of driver as below

Non-dim	Can not be used with any dimmer .
Triac dim	Compliable with recommended TRIAC dimmers, dimming range 8-100%.
0/1-10V	Only work with 0/1-10V dimming system, dimming range 8-100%.
DALI	Only work with DALI dimming system, dimming range 8-100%.

Installation procedure

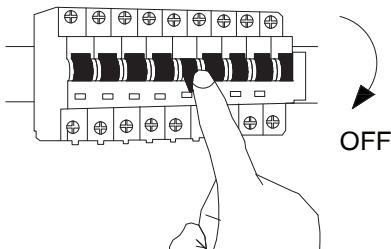
WARNING

1. Switch off before installation.
2. Switch on only after complete installation and examination of the circuit.
3. Professional electrician for installation and maintenance only .

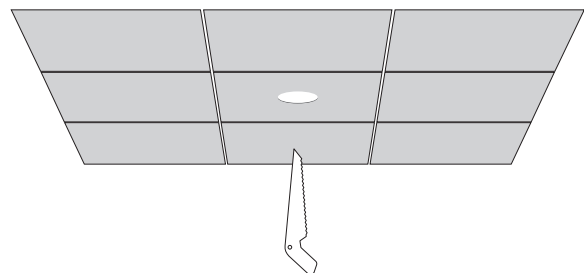


Down light with external driver

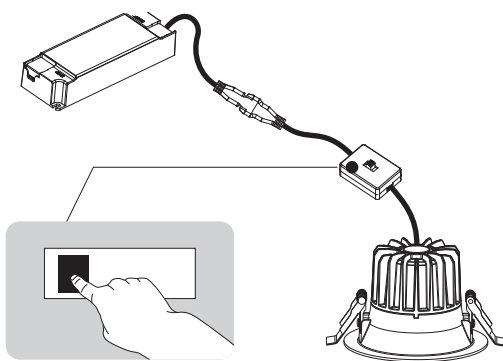
Instruction Manual



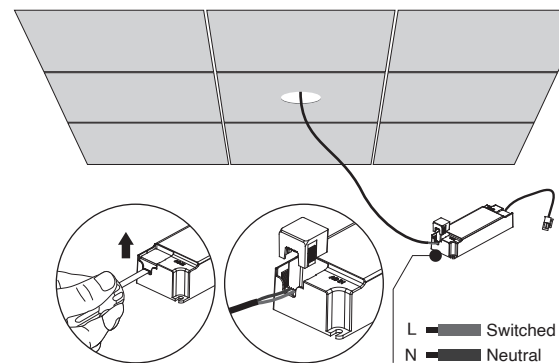
1. Turn off the general Switch



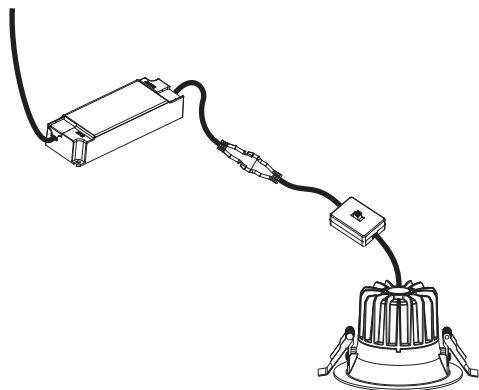
2. Create a CutOut



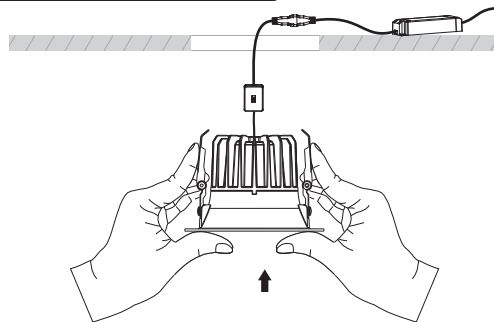
3. Select preferred color temperature for the product in CCT change function only



4. Connect wires

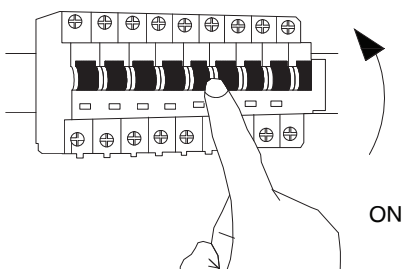


If the external flexible cable or cord of this luminaire is damaged, it shall be exclusively replaced by the manufacturer or his service agent or a similar qualified person in order to avoid a hazard.

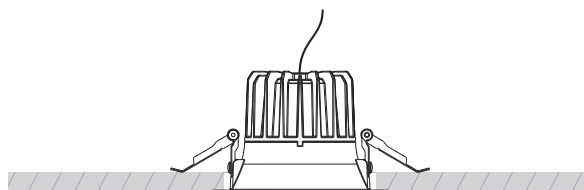


5. Connect the light by connecting the wires

6. Place the light into place



7. Turn on the general Switch



The light source contained in this luminaire shall only be replaced by the manufacturer or his service agent or a similar qualified person.

